



FORGED AUTOMOTIVE PRODUCTS

PISTONS · CONRODS · BOLTS · GASKETS



2011



W ■ ■ HIGH PERFORMANCE PISTONS
Wössner®
RESEARCH & DEVELOPMENT
Manufacturer of forged pistons



We are the innovative specialists for high performance pistons and conrods. Our products are to be found in engines operating at the highest levels of motor sport, in competition and, of course, in everyday use – in fact, anywhere where longevity and operational noise are important factors.

Wössner products are the source of the superior power behind the success of well known motor sport teams at national and international race meets.

Picture frontpage: 9ff Porsche GT9, high speed world record in Nardo (Italy): 409 km/h (254,1 mph).

WÖSSNER PRODUCTS

Cometic Gaskets

The involvement in motorsports racing led to the development of breakthrough technologies which are now applied to every Cometic gasket. Cometic supplies gaskets for a variety of hi-performance motorsports markets.



ARP Rod Bolts

Connecting rod bolts are one of the main important fasteners in any engine. ARP is one of the world leader in racing fastener technology.

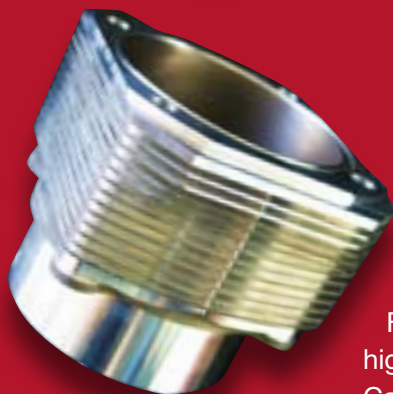


Pistons

Forged high performance pistons for various applications in nearly all engine types for racing and street use (Material: 4032-T6, 2618-T6).

Conrods

Forged high performance steel (40 CrNiMoA) conrods, H-beam with ARP-bolts, optimal balanced, suitable for all common models.



Cylinders

Forged cylinders for Porsche, high quality Nickel Silicone Carbide Plating.

Special pistons

For special application, size from 35 mm to 220 mm diameter.



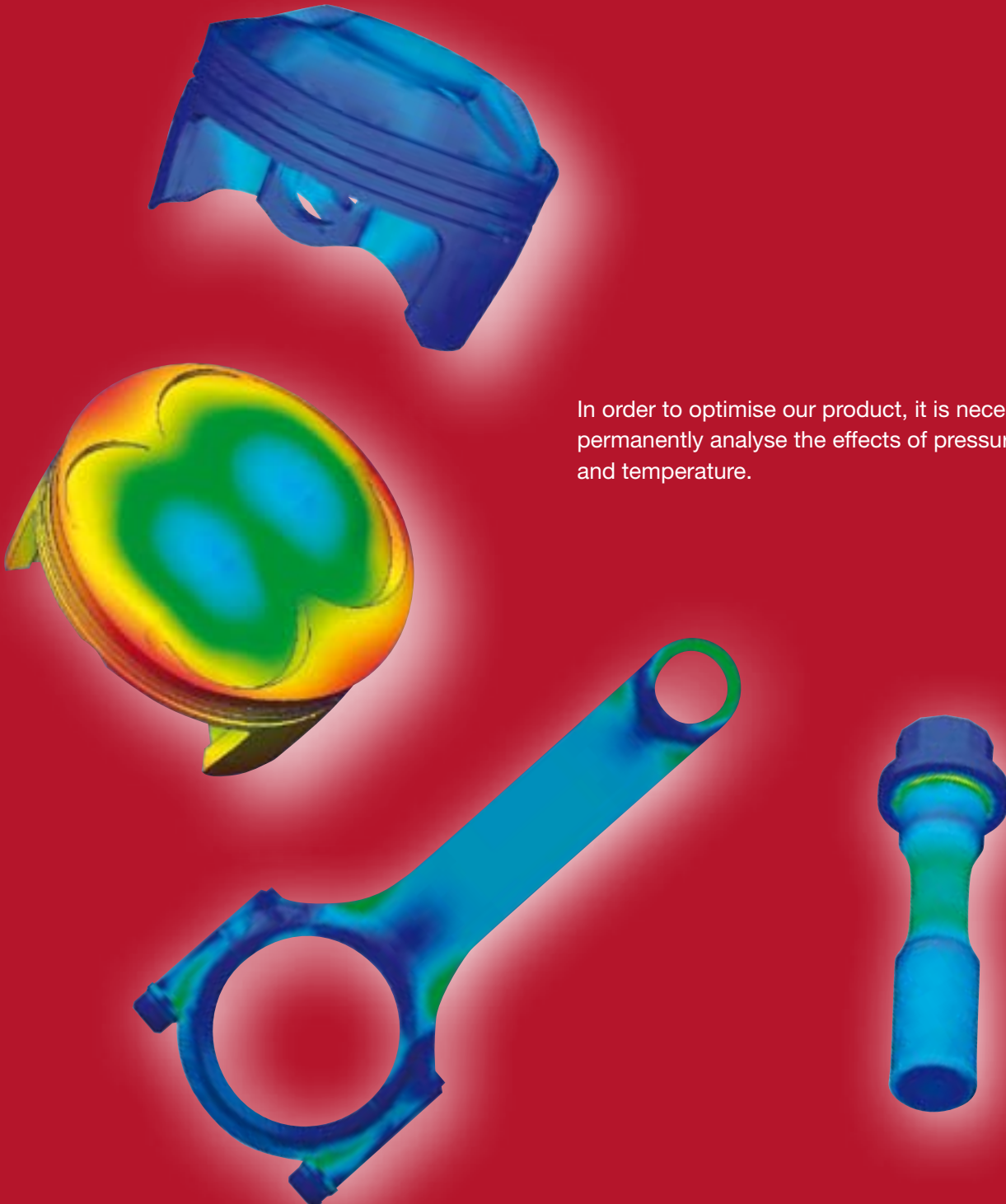
Sleeves

Various materials with high quality Nickel Silicone Carbide Plating.



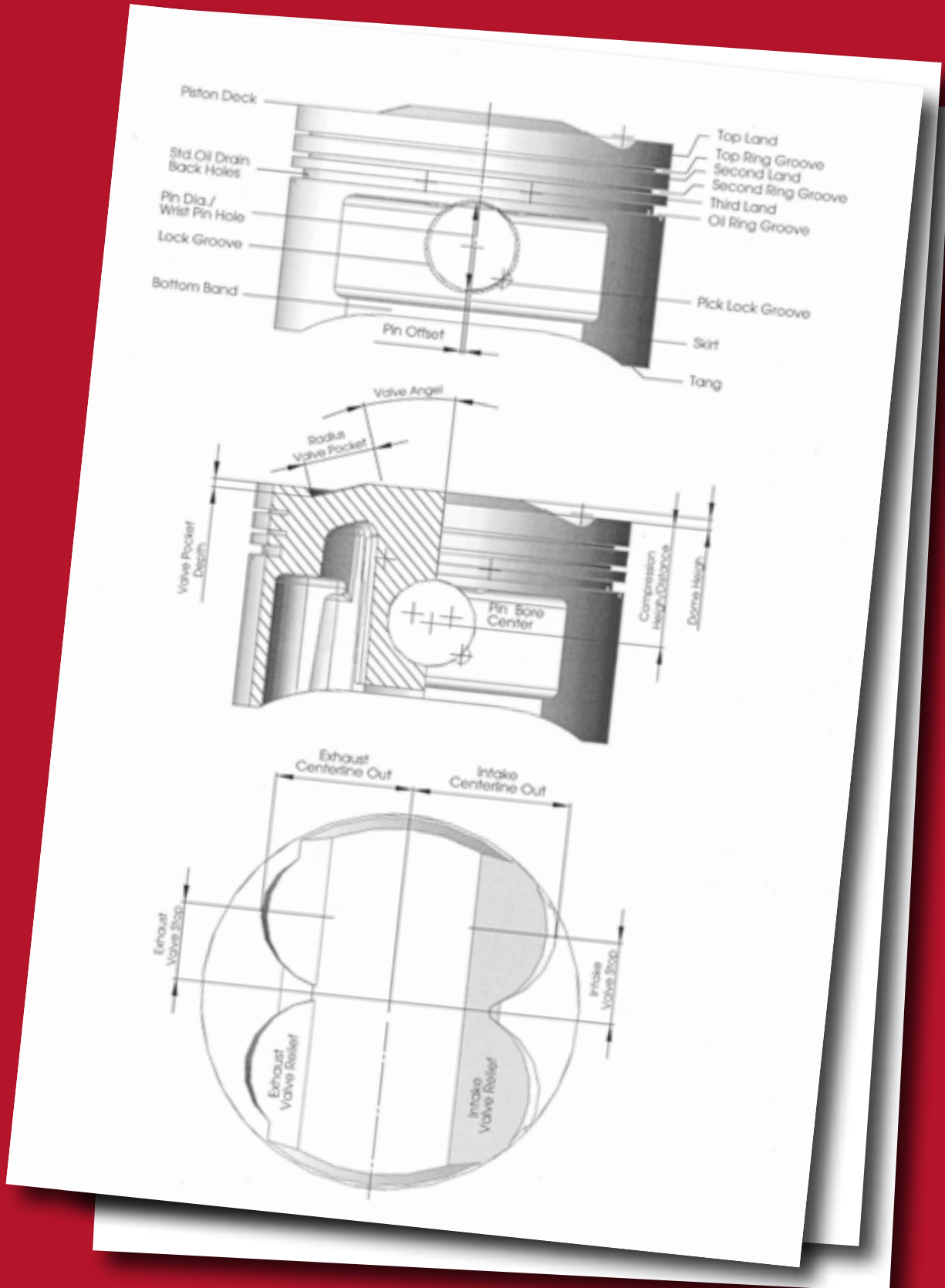
PISTONS

PERFORMANCE



In order to optimise our product, it is necessary to permanently analyse the effects of pressure, motion and temperature.

PISTON TERMINOLOGY



FORGED AUTOMOTIVE PRODUCTS

Alfa Romeo	7-8
Audi	9-11
BMW	12-14
Citroën	15-19
Ferrari	20-21
Fiat	22-23
Ford	24-28
Honda	29-41
Hyundai	42
Lancia	43
Mazda	44-46
MG	47
Mini Cooper	48
Mitsubishi	49-53
Nissan	54-60
Opel	61-63
Peugeot	64-71
Porsche	72-80
Renault	81-87
Rover	88
Saab	89
Seat	90-91
Subaru	92-96
Toyota	97-100
VW	101-107
FGM, Monale, Italy	109
Rod Bolts	109
Conrods	110-115
Gaskets	116-119
Pinlist	120-121
Ringlist	122-124
Order Forms	125-126
Instructions	127
Terms and Conditions	128

WARRANTY DISCLAIMER

Due to the nature of performance applications, the parts in this kit are sold without any express warranty or any implied warranty of merchantability or fitness for a particular purpose. Wössner GmbH shall not, under any circumstances, be liable for any special, incidental or consequential damages, including, but not limited to damage, or loss of profits or revenue, cost of purchased or replacement goods, or claims of customers of the purchaser, which may arise and/or result from sale, installation or use of these parts. Installation of these parts could adversely affect the vehicle manufacturer's warranty coverage. Pistons are useable for racing only.

ALFA ROMEO®



Model	156 1.8Ltr. 16V Twin Spark			145, 146, 155, 156, 166, GTV, Spider 2.0Ltr. 16V			145, 146, 155, 156, 166, GTV, Spider 2.0Ltr. 16V Turbo			147, 156 2.0Ltr. 16V Twin Spark		
Years	-			-			-			-		
Engine type	188 A			M647CA.19.T			M647CA.19.T			-		
Displ. (cc)	1746cm ³			1970cm ³			1970cm ³			1970cm ³		
	Piston Kit Part No.	Bore size (mm)	Ring Set Part No.	Piston Kit Part No.	Bore size (mm)	Ring Set Part No.	Piston Kit Part No.	Bore size (mm)	Ring Set Part No.	Piston Kit Part No.	Bore size (mm)	Ring Set Part No.
	K9274DA	82,00	820XTY	K9142DA	83,00	830XSX	K9143DA	83,00	830XTY	K9236DA	83,00	830XSX
	K9274D050	82,50	825XTY	K9142D050	83,50	835XSX	K9143D050	83,50	835XTY	K9236D050	83,50	835XSX
	K9274D100	83,00	830XTY	K9142D100	84,00	840XSX	K9143D100	84,00	840XTY	K9236D100	84,00	840XSX
Stroke	82,7mm			91mm			91mm			91mm		
Wössner Comp. ratio	9,0:1			12,6:1			8,5:1			12,6:1		
OE Comp. ratio	10,3:1			10,0:1			10,0:1			10,0:1		
Dome Volume (cc)	-12,4cm ³			+2,6cm ³			-20cm ³			+2,5cm ³		
Comp. Height (mm)	28,40mm			32mm			32mm			31,5mm		
Valves per Cylinder	4			4			4			4		
Cylinder No.	4			4			4			4		
Piston weight in grams	284gr.			310gr.			302gr.			305gr.		
Clip Part No.	CW20			CW20			CW20			CW20		
Pin Part No.	WP061			WP052			WP061			WP052		
Rod length	-			145			145			145		
Price Code	A			A			A			A		
Top End Gasket Kit	-			-			-			-		
Wössner Connecting rods	-			-			-			-		

A

ALFA ROMEO®



A

	147 1.6Ltr. 16V			147 1.6Ltr. 16V Turbo			164, 75 3.0Ltr. V6 12V (185PS)		
Model	147 1.6Ltr. 16V			147 1.6Ltr. 16V Turbo			164, 75 3.0Ltr. V6 12V (185PS)		
Years	-			-			-		
Engine type	M654FA.15V			M654FA.15V			195-20		
Displ. (cc)	1598cm ³			1598cm ³			2959cm ³		
	Piston Kit Part No.	Bore size (mm)	Ring Set Part No.	Piston Kit Part No.	Bore size (mm)	Ring Set Part No.	Piston Kit Part No.	Bore size (mm)	Ring Set Part No.
	K9138DA	82,00	820XSY	K9139DA	82,00	820XTY	K9144DA	93,00	930XSY
	K9138D050	82,50	825XSY	K9139D050	82,50	825XTY	K9144D050	93,50	935XSY
	K9138D100	83,00	830XSY	K9139D100	83,00	830XTY	K9144D100	94,00	940XSY
Stroke	75,65mm			75,65mm			72,6mm		
Wössner Comp. ratio	11,5:1			8,0:1			11,5:1		
OE Comp. ratio	10,5:1			10,5:1			9,5:1		
Dome Volume (cc)	+8,5 cm ³			-4,21cm ³			+34cm ³		
Comp. Height (mm)	33mm			28,5mm			33mm		
Valves per Cylinder	4			4			2		
Cylinder No.	4			4			6		
Piston weight in grams	294gr.			308gr.			434gr.		
Clip Part No.	CW20			CW20			CW22		
Pin Part No.	WP052			WP061			WP017		
Rod length	-			-			-		
Price Code	A			A			G		
Top End Gasket Kit	-			-			-		
Wössner Connecting rods	-			-			-		

AUDI[®]



Model	A4, A6 1.8Ltr. 20V Turbo (150PS)			A6, S4 2.7Ltr. Bi-Turbo			RS4 2.7Ltr. V6 Bi-Turbo			Coupe S2		
Years	-			-			-			-		
Engine type	AEB, AGU			AGB, ASJ			AZR, ASJ, AZF			3B, ABY		
Displ. (cc)	1781cm ³			2669cm ³			2669cm ³			2224cm ³		
	Piston Kit Part No.	Bore size (mm)	Ring Set Part No.	Piston Kit Part No.	Bore size (mm)	Ring Set Part No.	Piston Kit Part No.	Bore size (mm)	Ring Set Part No.	Piston Kit Part No.	Bore size (mm)	Ring Set Part No.
	K9075DA	81,00	810XTY	K9091DA	81,00	810XTY	K9215DA	81,00	810XTY	K9201DA-5	81,00	810XTY
	K9075D050	81,50	815XTY	K9091D050	81,50	815XTY	K9215D050	81,50	815XTY	K9201D050-5	81,50	815XTY
	K9075D100	82,00	820XTY	K9091D100	82,00	820XTY	K9215D100	82,00	820XTY	K9201D100-5	82,00	820XTY
	K9075D150	82,50	825XTY	-	-	-	-	-	-	K9201D150-5	82,50	825XTY
	-	-	-	-	-	-	-	-	-	K9201D200-5	83,00	830XTY
	-	-	-	-	-	-	-	-	-	K9201D250-5	83,50	835XTY
Stroke	86,4mm			86,4mm			86,4mm			86,4mm		
Wössner Comp. ratio	8,5:1			8,5:1			8,0:1			8,0:1		
OE Comp. ratio	9,5:1			9,3:1			9,0:1			10,0:1		
Dome Volume (cc)	-13cm ³			-			-15cm ³			-12,3cm ³		
Comp. Height (mm)	32,7mm			30,7mm			30,7mm			33,4mm		
Valves per Cylinder	5			4			5			4		
Cylinder No.	4			6			6			5		
Piston weight in grams	282gr.			278gr.			284gr.			306gr.		
Clip Part No.	CW20			CW21			CW21			CW20		
Pin Part No.	WP061			WP092			WP092			WP061		
Rod length	144			154			154			144		
Price Code	A			G			G			C		
Top End Gasket Kit	-			-			-			-		
Wössner Connecting rods	PL018			-			-			PL018		

A

AUDI®

Model	A3, TT 1.8Ltr. 20V Turbo (180PS)			S3, TT 1.8Ltr. 20V Turbo (225PS)			S3, TT 1.8Ltr. 20V Turbo (225PS)			A3 / S3 / A4 2.0Ltr. T FSI Turbo		
Years	-			-			-			-		
Engine type	APP, ARY, AUQ			APX, APY, BAM			APX, APY, BAM			AXX		
Displ. (cc)	1781cm ³			1781cm ³			1781cm ³			1998cm ³		
	Piston Kit Part No.	Bore size (mm)	Ring Set Part No.	Piston Kit Part No.	Bore size (mm)	Ring Set Part No.	Piston Kit Part No.	Bore size (mm)	Ring Set Part No.	Piston Kit Part No.	Bore size (mm)	Ring Set Part No.
	K9145DA	81,00	810XTY	K9075DA	81,00	810XTY	K9271DA	81,00	810XTY	K9213DA	82,50	825XTY
	K9145D050	81,50	815XTY	K9075D050	81,50	815XTY	K9271D050	81,50	815XTY	K9213D050	83,00	830XTY
	K9145D100	82,00	820XTY	K9075D100	82,00	820XTY	K9271D100	82,00	820XTY	K9213D100	83,50	835XTY
	K9145D150	82,50	825XTY	K9075D150	82,50	825XTY	K9271D150	82,50	825XTY	-	-	-
Stroke	86,4mm			86,4mm			86,4mm			92,8mm		
Wössner Comp. ratio	9,5:1			8,5:1			9,5:1			9,2:1		
OE Comp. ratio	9,5:1			8,9:1			8,9:1			10,5:1		
Dome Volume (cc)	-6,3cm ³			-13cm ³			-6cm ³			-5,38cm ³		
Comp. Height (mm)	32,7mm			32,7mm			32,70mm			29,5mm		
Valves per Cylinder	5			5			5			4		
Cylinder No.	4			4			4			4		
Piston weight in grams	301gr.			282gr.			280gr.			334gr.		
Clip Part No.	CW19			CW20			CW20			CW20		
Pin Part No.	WP026			WP061			WP061			WP061		
Rod length	144			144			144			144		
Price Code	A			A			A			A		
Top End Gasket Kit	-			-			-			see gasket list side 117-119		
Wössner Connecting rods	-			PL018			PL018			PL018		

AUDI[®]



Model	1.8Ltr. 20V None Turbo (Racing Version)			2.0Ltr. 20V None Turbo (Racing Version)		
Years	-			-		
Engine type	AEB, AGN, ALT			AEB, AGN, ALT		
Displ. (cc)	1846cm ³			1983cm ³		
	Piston Kit Part No.	Bore size (mm)	Ring Set Part No.	Piston Kit Part No.	Bore size (mm)	Ring Set Part No.
	K9269D150	82,50	825XSY	K9270DA	82,50	825XSY
	K9269D170	82,70	827XSY	K9270D020	82,70	827XSY
Stroke	86,4mm			92,8mm		
Wössner Comp. ratio	12,3:1			12,3:1		
OE Comp. ratio	8,9:1			8,9:1		
Dome Volume (cc)	+10,7cm ³			10,7cm ³		
Comp. Height (mm)	32,70mm			29,50mm		
Valves per Cylinder	5			5		
Cylinder No.	4			4		
Piston weight in grams	310gr.			295gr.		
Clip Part No.	CW20			CW20		
Pin Part No.	WP052			WP052		
Rod length	144			144		
Price Code	A			A		
Top End Gasket Kit	-			-		
Wössner Connecting rods	PL018			PL018		

A

BMW®


Model	M3 2.3Ltr. 16V			M3 2.3Ltr. 16V OEM Comp. ratio			M3 2.5Ltr. 16V Sport EVO DTM			M3 2.5Ltr. 16V Sport EVO Berg		
Years	-			-			-			-		
Engine type	S14/B23			S14/B23			S14/B23			S14/B23		
Displ. (cc)	2312cm ³			2312cm ³			2510cm ³			2510cm ³		
	Piston Kit Part No.	Bore size (mm)	Ring Set Part No.	Piston Kit Part No.	Bore size (mm)	Ring Set Part No.	Piston Kit Part No.	Bore size (mm)	Ring Set Part No.	Piston Kit Part No.	Bore size (mm)	Ring Set Part No.
	K9024D020	93,60	936XSY	K9277D020	93,60	936XSY	K9007D028	95,28	*955XSY	K9008D028	95,28	*955XSY
	K9024D040	93,80	938XSY	K9277D040	93,80	938XSY	K9007D034	95,34	*955XSY	K9008D034	95,34	*955XSY
	K9024D060	94,00	940XSY	K9277D060	94,00	940XSY	K9007D044	95,44	*955XSY	K9008D044	95,44	*955XSY
	K9024D080	94,20	942XSY	K9277D080	94,20	942XSY	K9007D050	95,50	955XSY	K9008D050	95,50	955XSY
	-	-	-	-	-	-	K9007D080	95,80	*960XSY	K9008D080	95,80	*960XSY
Stroke	84mm			84mm			88mm			88mm		
Wössner Comp. ratio	13,0:1			10,8:1			12,8:1			12,8:1		
OE Comp. ratio	10,5:1			10,5:1			12,8:1			12,8:1		
Dome Volume (cc)	+2,7cm ³			-6,9cm ³			+0,5cm ³			+0,8cm ³		
Comp. Height (mm)	32mm			32mm			30,6mm			25mm		
Valves per Cylinder	4			4			4			4		
Cylinder No.	4			4			4			4		
Piston weight in grams	360gr.			357gr.			345gr.			314gr.		
Clip Part No.	CW22			CW22			CW22			CW22		
Pin Part No.	WP017			WP017			WP098			WP009		
Rod length	144			144			144			149,7		
Price Code	A			A			B			B		
Top End Gasket Kit	see gasket list side 117-119			see gasket list side 117-119			-			-		
Wössner Connecting rods	PL002			PL002			PL002			-		

* Rings need to be shortened / Ringe müssen gekürzt werden.

BMW®



Model	M3 3.0Ltr. 24V 2-Ring Version			M3 3.0Ltr. 24V 3-Ring Version			M3 3.0Ltr. 24V Turbo			2002TII		
Years	1992-95			1992-95			-			-		
Engine type	M50/B30 E36			M50/B30 E36			M50/B30 1992-95 E36			M10B20		
Displ. (cc)	2990cm ³			2990cm ³			2990cm ³			1988,8cm ³		
	Piston Kit Part No.	Bore size (mm)	Ring Set Part No.	Piston Kit Part No.	Bore size (mm)	Ring Set Part No.	Piston Kit Part No.	Bore size (mm)	Ring Set Part No.	Piston Kit Part No.	Bore size (mm)	Ring Set Part No.
	K9043DA	86,00	860XSY	K9400DA	86,00	860XSY	K9293DA	86,00	860XTY	K9399DA	89,00	890XSY
	K9043D050	86,50	865XSY	K9400D050	86,50	865XSY	K9293D050	86,50	865XTY	K9399D025	89,25	892XSY
	K9043D075	86,75	867XSY	K9400D075	86,75	867XSY	-	-	-	K9399D050	89,50	895XSY
	K9043D100	87,00	870XSY	K9400D100	87,00	870XSY	-	-	-	K9399D075	89,75	897XSY
	-	-	-	-	-	-	-	-	-	K9399D100	90,00	900XSY
Stroke	86mm			86mm			86mm			80mm		
Wössner Comp. ratio	12,6:1			12,6:1			8,5:1			11,8:1		
OE Comp. ratio	10,5:1			10,5:1			10,5:1			-		
Dome Volume (cc)	+5cm ³			+5cm ³			-25,3cm ³			+28,8 cm ³		
Comp. Height (mm)	31,5mm			31,5mm			31,5mm			43,5mm		
Valves per Cylinder	4			4			4			2		
Cylinder No.	6			6			6			4		
Piston weight in grams	306gr.			306gr.			336gr.			-		
Clip Part No.	CW21			CW21			CW21			CW22		
Pin Part No.	WP051			WP051			WP092			WP017		
Rod length	142			142			142			135		
Price Code	G			G			G			A		
Top End Gasket Kit	-			-			-			-		
Wössner Connecting rods	PL042			PL042			PL042			-		

B

BMW®


	M3 3.2Ltr. 24V 3-Ring Version			M3 3.2Ltr. 24V Turbo			M3 3.25Ltr. 24V 3-Ring Version			M3 3.25Ltr. 24V Turbo		
Model	M3 3.2Ltr. 24V 3-Ring Version			M3 3.2Ltr. 24V Turbo			M3 3.25Ltr. 24V 3-Ring Version			M3 3.25Ltr. 24V Turbo		
Years	-			-			-			-		
Engine type	S50/B32 up 1995 E36			S50/B32 up 1995 E36			S54 E46			S54 E46		
Displ. (cc)	3209cm ³			3209cm ³			3246cm ³			3246cm ³		
	Piston Kit Part No.	Bore size (mm)	Ring Set Part No.	Piston Kit Part No.	Bore size (mm)	Ring Set Part No.	Piston Kit Part No.	Bore size (mm)	Ring Set Part No.	Piston Kit Part No.	Bore size (mm)	Ring Set Part No.
	K9038DA	86,50	865XSY	K9294D010	86,50	865XTY	K9202DA	87,00	870XSY	K9295DA	87,00	870XTY
	K9038D025	86,75	867XSY	K9294D060	87,00	870XTY	K9202D050	87,50	875XSY	K9295D050	87,50	875XTY
	K9038D050	87,00	870XSY	-	-	-	-	-	-	-	-	-
Stroke	91mm			91mm			91mm			91mm		
Wössner Comp. ratio	12,3:1			8,7:1			12,3:1			8,8:1		
OE Comp. ratio	11,3:1			11,3:1			11,3:1			11,3:1		
Dome Volume (cc)	+5,4cm ³			-27cm ³			+5,4cm ³			-27 cm ³		
Comp. Height (mm)	32,3mm			32,3mm			32,3mm			32,3mm		
Valves per Cylinder	4			4			4			4		
Cylinder No.	6			6			6			6		
Piston weight in grams	316gr.			333gr.			316gr.			320gr.		
Clip Part No.	CW21			CW21			CW21			CW21		
Pin Part No.	WP051			WP092			WP051			WP092		
Rod length	139			139			139			139		
Price Code	G			G			G			G		
Top End Gasket Kit	see gasket list side 117-119			see gasket list side 117-119			see gasket list side 117-119			see gasket list side 117-119		
Wössner Connecting rods	PL041			PL041			PL041			PL041		

CITROËN®



Model	² AX Sport 1.3Ltr.			² AX GTI 1.4Ltr.			² AX GTI 1.4Ltr.		
Years	-			-			-		
Engine type	TU2/4			TU3J2			TU3J2		
Displ. (cc)	1294cm ³			1360cm ³			1361cm ³		
	Piston Kit Part No.	Bore size (mm)	Ring Set Part No.	Piston Kit Part No.	Bore size (mm)	Ring Set Part No.	Piston Kit Part No.	Bore size (mm)	Ring Set Part No.
	K9114DA	75,00	750XDS	K9108DA	75,00	750XDS	K9109DA	75,00	750XDS
	K9114D050	75,50	755XDS	K9108D050	75,50	755XDS	K9109D050	75,50	755XDS
	K9114D100	76,00	760XDS	K9108D100	76,00	760XDS	K9109D100	76,00	760XDS
Stroke	73,2mm			77mm			77mm		
Wössner Comp. ratio	11,5:1			11,4:1			11,7:1		
OE Comp. ratio	9,6:1			9,6:1			9,6:1		
Dome Volume (cc)	+7,16cm ³			+5,6cm ³			+9,6cm ³		
Comp. Height (mm)	38,8mm			41,5mm			35mm		
Valves per Cylinder	2			2			2		
Cylinder No.	4			4			4		
Piston weight in grams	252gr.			278gr.			248gr.		
Clip Part No.	CW18			CW18			CW20 (19.46)		
Pin Part No.	WP031			WP031			WP096		
Rod length	112,3			126,8			133,6		
Price Code	A			A			A		
Top End Gasket Kit	-			-			-		
Wössner Connecting rods	-			-			PL020		

² Combustion chamber need to be adapted at piston dome design.

CITROËN®



Model	Saxo VTS 1.6Ltr. 16V Turbo			Saxo VTS 1.6Ltr. 16V Gr.A			Saxo Kit Car 1.6Ltr. 16V			Saxo VTS 1.6Ltr. 16V Gr.A		
Years	-			-			-			-		
Engine type	TU5J4			TU5J4			TU5J4			TU5J4		
Displ. (cc)	1587cm ³			1587cm ³			1596cm ³			17745cm ³		
	Piston Kit Part No.	Bore size (mm)	Ring Set Part No.	Piston Kit Part No.	Bore size (mm)	Ring Set Part No.	Piston Kit Part No.	Bore size (mm)	Ring Set Part No.	Piston Kit Part No.	Bore size (mm)	Ring Set Part No.
	K9089DA	78,50	785XTZ	K9039DA	78,50	785XDS	K9150D020	78,70	787XDS	K9407D100	79,50	795XDS
	K9089D020	78,70	787XTZ	K9039D020	78,70	787XDS	K9150D050	79,00	790XDS	K9407D150	80,00	800XDS
	K9089D050	79,00	790XTZ	K9039D050	79,00	790XDS	-	-	-	-	-	-
	K9089D100	79,50	795XTZ	K9039D100	79,50	795XDS	-	-	-	-	-	-
	K9089D150	80,00	800XTZ	K9039D150	80,00	800XDS	-	-	-	-	-	-
Stroke	82mm			82mm			82mm			89mm		
Wössner Comp. ratio	9,0:1			12,0:1			12,7:1			-		
OE Comp. ratio	10,7:1			10,7:1			12,7:1			10,7:1		
Dome Volume (cc)	-			+7,1cm ³			+6,7cm ³			-		
Comp. Height (mm)	32,5mm			32,5mm			28,3mm			29mm		
Valves per Cylinder	4			4			4			4		
Cylinder No.	4			4			4			4		
Piston weight in grams	284gr.			260gr.			254gr.			-		
Clip Part No.	CW20 (19.46)			CW20 (19.46)			CW18			CW20 (19.46)		
Pin Part No.	WP035			WP096			WP031			WP096		
Rod length	133,6			133,6			137,75			133,6		
Price Code	A			A			A			A		
Top End Gasket Kit	see gasket list side 117-119			see gasket list side 117-119			see gasket list side 117-119			see gasket list side 117-119		
Wössner Connecting rods	PL020			PL020			PL030			PL020		

CITROËN®



	C2 VTS 1.6Ltr. 16V Gr.A			C2 VTS 1.6Ltr. 16V Kit Car		
Model						
Years	-			-		
Engine type	TU5JP4			TU5JP4		
Displ. (cc)	1587cm ³			1594cm ³		
	Piston Kit Part No.	Bore size (mm)	Ring Set Part No.	Piston Kit Part No.	Bore size (mm)	Ring Set Part No.
	K9177DA	78,50	785XDS	K9233D020	78,70	787XDS
	K9177D020	78,70	787XDS	-	-	-
	K9177D050	79,00	790XDS	-	-	-
	K9177D150	80,00	800XDS	-	-	-
Stroke	82mm			82mm		
Wössner Comp. ratio	12,2:1			12,7:1		
OE Comp. ratio	10,8:1			10,8:1		
Dome Volume (cc)	+8,72cm ³			+7,6cm ³		
Comp. Height (mm)	32,1mm			28mm		
Valves per Cylinder	4			4		
Cylinder No.	4			4		
Piston weight in grams	260gr.			243gr.		
Clip Part No.	CW18			CW18		
Pin Part No.	WP031			WP031		
Rod length	133,6			137,75		
Price Code	A			A		
Top End Gasket Kit	-			-		
Wössner Connecting rods	PL019			PL030		

C

CITROËN®



Model	ZX 2.0Ltr. 16V (155PS)			ZX, Xsara 2.0Ltr. 16V (167PS)			ZX, Xsara 2.0Ltr. 16V Turbo (167PS)		
Years	-			-			-		
Engine type	XU10J4			XU10J4RS			XU10J4RS		
Displ. (cc)	1998cm ³			1998cm ³			1998cm ³		
	Piston Kit Part No.	Bore size (mm)	Ring Set Part No.	Piston Kit Part No.	Bore size (mm)	Ring Set Part No.	Piston Kit Part No.	Bore size (mm)	Ring Set Part No.
	K9041DA	86,00	860XSY	K9181DA	86,00	860XSY	K9203DA	86,00	860XTY
	K9041D050	86,50	865XSY	K9181D050	86,50	865XSY	K9203D050	86,50	865XTY
	K9041D100	87,00	870XSY	K9181D100	87,00	870XSY	K9203D100	87,00	870XTY
Stroke	86mm			86mm			86mm		
Wössner Comp. ratio	12,2:1			12,2:1			8,0:1		
OE Comp. ratio	10,4:1			10,8:1			10,8:1		
Dome Volume (cc)	+5,9cm ³			+2,8cm ³			-		
Comp. Height (mm)	37mm			34mm			34mm		
Valves per Cylinder	4			4			4		
Cylinder No.	4			4			4		
Piston weight in grams	362gr.			317gr.			345gr.		
Clip Part No.	CW22			CW20			CW22		
Pin Part No.	WP009			WP038			WP046		
Rod length	152			158			158		
Price Code	A			A			A		
Top End Gasket Kit	see gasket list side 117-119			see gasket list side 117-119			see gasket list side 117-119		
Wössner Connecting rods	PL028			PL029			-		

C

CITROËN®



Model	C4 VTR 2.0Ltr. 16V (177PS)			Xantia, XM, Evasion 2.0Ltr. 8V Turbo		
Years	-			-		
Engine type	EW10J4RS			XU10J2CTE		
Displ. (cc)	1997cm ³			1997cm ³		
	Piston Kit Part No.	Bore size (mm)	Ring Set Part No.	Piston Kit Part No.	Bore size (mm)	Ring Set Part No.
	K9190DA	85,00	850XSY	K9199DA	86,00	860XTY
	K9190D050	85,50	855XSY	K9199D050	86,50	865XTY
	-	-	-	K9199D100	87,00	870XTY
Stroke	88mm			86mm		
Wössner Comp. ratio	12,5:1			8,5:1		
OE Comp. ratio	11,0:1			8,5:1		
Dome Volume (cc)	+6,5cm ³			-		
Comp. Height (mm)	29,5mm			40mm		
Valves per Cylinder	4			2		
Cylinder No.	4			4		
Piston weight in grams	336gr.			387gr.		
Clip Part No.	CW21			CW22		
Pin Part No.	WP034			WP017		
Rod length	139			152		
Price Code	A			A		
Top End Gasket Kit	-			-		
Wössner Connecting rods	PL033			PL028		

FERRARI®



Model	246GT, GTS, Dino			250GT, GTE, GT6			275GTB-4		
Years	1969-74			1954-56			1964-66		
Engine type	-			-			-		
Displ. (cc)	2418cm ³			2963cm ³			3295cm ³		
	Piston Kit Part No.	Bore size (mm)	Ring Set Part No.	Piston Kit Part No.	Bore size (mm)	Ring Set Part No.	Piston Kit Part No.	Bore size (mm)	Ring Set Part No.
	K9101DA	92,50	925XSY	K9001DA	73,00	730XDS	K9003DA	77,00	770XDS
	K9101D050	93,00	930XSY	K9001D050	73,50	735XDS	K9003D050	77,50	775XDS
	K9101D100	93,50	935XSY	K9001D100	74,00	740XDS	K9003D100	78,00	780XDS
	K9101D150	94,00	940XSY	-	-	-	-	-	-
Stroke	60mm			59mm			58,8mm		
Wössner Comp. ratio	10,0:1			10,0:1			10,5:1		
OE Comp. ratio	9,0:1			9,0:1			9,2:1		
Dome Volume (cc)	-			-			-		
Comp. Height (mm)	30mm			26,9mm			28mm		
Valves per Cylinder	2			2			2		
Cylinder No.	6			12			12		
Piston weight in grams	302gr.			230gr.			260gr.		
Clip Part No.	CW20			CW17			CW17		
Pin Part No.	WP052			WP090			WP090		
Rod length	117,92			112			112		
Price Code	G			I			I		
Top End Gasket Kit	-			-			-		
Wössner Connecting rods	-			PL039			PL039		

F

FERRARI®



Model	365GTB-4, BB, Daytona			330GTC, GTS, GT			308/208 GT4, GTB		
Years	1966-84			1963-68			1973-85		
Engine type	-			-			F106 A		
Displ. (cc)	4442cm ³			3967cm ³			2961cm ³		
	Piston Kit Part No.	Bore size (mm)	Ring Set Part No.	Piston Kit Part No.	Bore size (mm)	Ring Set Part No.	Piston Kit Part No.	Bore size (mm)	Ring Set Part No.
	K9004D050-12	81,50	815XSY	K9002DA	77,00	770XDS	K9004D050	81,50	815XSY
	K9004D100-12	82,00	820XSY	K9002D050	77,50	775XDS	K9004D100	82,00	820XSY
	-	-	-	K9002D100	78,00	780XDS	-	-	-
Stroke	71mm			71mm			71mm		
Wössner Comp. ratio	10,5:1			-			10,5:1		
OE Comp. ratio	9,3:1			8,8:1			8,8:1		
Dome Volume (cc)	-			-			-		
Comp. Height (mm)	30,8mm			29,5mm			30,8mm		
Valves per Cylinder	2			2			2		
Cylinder No.	12			12			8		
Piston weight in grams	306gr.			285gr.			306gr.		
Clip Part No.	CW19			CW19			CW19		
Pin Part No.	WP084			WP084			WP084		
Rod length	137			-			137		
Price Code	I			I			J		
Top End Gasket Kit	-			-			-		
Wössner Connecting rods	-			-			-		

F

FIAT®


Model	Punto / Uno Turbo "old" 90-92			Punto / Uno Turbo			Ritmo / Punto / Brava / Scudo / Tempra / Tipo			Punto 1,6 8V Turbo Stroker		
Years	1990-92			1993-99			1990-2000			1990-2000		
Engine type	146 A			176 A			159 A			159 A		
Displ. (cc)	1372cm ³			1372cm ³			1580cm ³			1877cm ³		
	Piston Kit Part No.	Bore size (mm)	Ring Set Part No.	Piston Kit Part No.	Bore size (mm)	Ring Set Part No.	Piston Kit Part No.	Bore size (mm)	Ring Set Part No.	Piston Kit Part No.	Bore size (mm)	Ring Set Part No.
	K9047DA	80,50	805XTZ	K9048DA	80,50	805XTZ	K9049DA	86,40	*865XTY	K9408D060	87,00	870XSY
	K9047D050	81,00	810XTY	K9048D050	81,00	810XTY	K9049D060	87,00	870XTY	-	-	-
	K9047D100	81,50	815XTY	K9048D100	81,50	815XTY	K9049D110	87,50	875XTY	-	-	-
Stroke	67,4mm			67,4mm			67,4mm			79mm		
Wössner Comp. ratio	7,8:1			7,8:1			9,2:1			8,5:1		
OE Comp. ratio	7,8:1			7,8:1			9,2:1			9,2:1		
Dome Volume (cc)	-6,5cm ³			-3,9cm ³			-4,77cm ³			-19 cm ³		
Comp. Height (mm)	33,3mm			34,10mm			33,3mm			27,5mm		
Valves per Cylinder	2			2			2			2		
Cylinder No.	4			4			4			4		
Piston weight in grams	294gr.			302gr.			332gr.			-		
Clip Part No.	CW22			CW22			CW22			CW22		
Pin Part No.	WP017			WP017			WP017			WP017		
Rod length	128,52			128,52			128,52			128,52		
Price Code	A			A			A			A		
Top End Gasket Kit	-			-			-			-		
Wössner Connecting rods	PL023			PL023			PL023			PL023		

* Rings need to be shortened / Ringe müssen gekürzt werden.

FIAT[®]



Model	Punto Rally Super 1600			Punto, Barchetta, Stilo 1.8Ltr. 16V HGT Turbo			Coupe 2.0Ltr. 20V Turbo (220PS)		
Years	-			-			-		
Engine type	188 A			188 A			175 A		
Displ. (cc)	1579cm ³			1746cm ³			1998cm ³		
	Piston Kit Part No.	Bore size (mm)	Ring Set Part No.	Piston Kit Part No.	Bore size (mm)	Ring Set Part No.	Piston Kit Part No.	Bore size (mm)	Ring Set Part No.
	K9285DA	82,50	825XSY	K9274DA	82,00	820XTY	K9212DA	82,00	820XTY
	-	-	-	K9274D050	82,50	825XTY	K9212D050	82,50	825XTY
	-	-	-	K9274D100	83,00	830XTY	K9212D100	83,00	830XTY
Stroke	74,7mm			82,7mm			75,65mm		
Wössner Comp. ratio	12,5:1			9,0:1			8,0:1		
OE Comp. ratio	10,3:1			10,3:1			8,5:1		
Dome Volume (cc)	+8,5 cm ³			-12,4cm ³			-8,8cm ³		
Comp. Height (mm)	26,6mm			28,40mm			32,8mm		
Valves per Cylinder	4			4			4		
Cylinder No.	4			4			5		
Piston weight in grams	267gr.			284gr.			312gr.		
Clip Part No.	CW18			CW20			CW22		
Pin Part No.	WP054			WP061			WP017		
Rod length	-			-			145		
Price Code	A			A			C		
Top End Gasket Kit	-			-			-		
Wössner Connecting rods	-			-			-		

F

FORD®


Model	Sierra, Cosworth			Sierra 4x4, Escort, Cosworth			Cosworth 2.0Ltr. 16V Non Turbo			Cosworth 2.0Ltr. 16V Non Turbo Long Rod		
Years	-			-			-			-		
Engine type	N5B			N5B			N5B			N5B		
Displ. (cc)	1995cm ³			1995cm ³			1995cm ³			1995cm ³		
	Piston Kit Part No.	Bore size (mm)	Ring Set Part No.	Piston Kit Part No.	Bore size (mm)	Ring Set Part No.	Piston Kit Part No.	Bore size (mm)	Ring Set Part No.	Piston Kit Part No.	Bore size (mm)	Ring Set Part No.
	K9027D020	91,00	910XTY	K9009D020	91,00	910XTY	K9217D020	91,00	910XSY	K9393D020	91,00	910XSY
	K9027D045	91,25	912XTY	K9009D045	91,25	912XTY	K9217D045	91,25	912XSY	K9393D045	91,25	912XSY
	K9027D070	91,50	915XTY	K9009D070	91,50	915XTY	K9217D070	91,50	915XSY	K9393D070	91,50	915XSY
	K9027D095	91,75	917XTY	K9009D095	91,75	917XTY	K9217D095	91,75	917XSY	K9393D095	91,75	917XSY
	K9027D120	92,00	920XTY	K9009D120	92,00	920XTY	K9217D120	92,00	920XSY	K9393D120	92,00	920XSY
	K9027D170	92,50	925XTY	K9009D170	92,50	925XTY	K9217D170	92,50	925XSY	K9393D170	92,50	925XSY
	K9027D220	93,00	930XTY	K9009D220	93,00	930XTY	K9217D220	93,00	930XSY	K9393D220	93,00	930XSY
Stroke	77mm			77mm			77mm			77mm		
Wössner Comp. ratio	8,0:1			8,0:1			12,5:1			12,5:1		
OE Comp. ratio	8,0:1			8,0:1			8,0:1			8,0:1		
Dome Volume (cc)	-17,5 cm ³			-20,1 cm ³			+11,6 cm ³			+11,6 cm ³		
Comp. Height (mm)	40,75mm			40,75mm			40,5mm			33mm		
Valves per Cylinder	4			4			4			4		
Cylinder No.	4			4			4			4		
Piston weight in grams	424gr.			434gr.			399gr.			-		
Clip Part No.	CW24			CW24			CW24			CW24		
Pin Part No.	WP022			WP022			WP057			WP057		
Rod length	128,5			128,5			128,5			136		
Price Code	A			A			A			A		
Top End Gasket Kit	see gasket list side 117-119			see gasket list side 117-119			see gasket list side 117-119			see gasket list side 117-119		
Wössner Connecting rods	PL027			PL027			PL027			-		

FORD®



Model	2.0Ltr. 8V Pinto OHC (Non Turbo)			2.0Ltr. 8V Pinto OHC Long Rod			Crossflow			1.8Ltr. 16V Turbo Zetec		
Years	-			-			-			up to 1998		
Engine type	YB			YB			-			-		
Displ. (cc)	1995cm ³			1995cm ³			1659cm ³			1812cm ³		
	Piston Kit Part No.	Bore size (mm)	Ring Set Part No.	Piston Kit Part No.	Bore size (mm)	Ring Set Part No.	Piston Kit Part No.	Bore size (mm)	Ring Set Part No.	Piston Kit Part No.	Bore size (mm)	Ring Set Part No.
	K9232D010	90,90	910XSY	K9392D010	90,90	*910XSY	K9390D150	82,50	825XSY	K9286D040	81,00	810XTY
	K9232D020	91,00	910XSY	K9392D020	91,00	910XSY	K9390D250	83,50	835XSY	K9286D090	81,50	815XTY
	K9232D045	91,25	912XSY	K9392D045	91,25	912XSY	-	-	-	-	-	-
	K9232D070	91,50	915XSY	K9392D070	91,50	915XSY	-	-	-	-	-	-
	K9232D095	91,75	917XSY	K9392D120	92,00	920XSY	-	-	-	-	-	-
	K9232D120	92,00	920XSY	K9392D170	92,50	925XSY	-	-	-	-	-	-
	K9232D170	92,50	925XSY	K9392D220	93,00	930XSY	-	-	-	-	-	-
	K9232D220	93,00	930XSY	-	-	-	-	-	-	-	-	-
Stroke	77mm			77mm			77,6mm			88mm		
Wössner Comp. ratio	12,0:1			12,0:1			12,0:1			8,0:1		
OE Comp. ratio	9,2:1			9,2:1			-			10,0:1		
Dome Volume (cc)	-			-			-			-10,8cm ³		
Comp. Height (mm)	41,65mm			34,15mm			44,6mm			32mm		
Valves per Cylinder	2			2			2			4		
Cylinder No.	4			4			4			4		
Piston weight in grams	414gr.			373gr.			327gr.			349gr.		
Clip Part No.	CW24			CW24			CW21 (20.63)			CW21 (20.63)		
Pin Part No.	WP057			WP057			WP095			WP095		
Rod length	128,5			-			-			-		
Price Code	A			A			A			A		
Top End Gasket Kit	see gasket list side 117-119			see gasket list side 117-119			-			-		
Wössner Connecting rods	PL027			-			-			-		

* Rings need to be shortened / Ringe müssen gekürzt werden.

FORD®



Model	Escort, Orion, Fiesta MK3, Mondeo, Cougar, Focus RS 2.0 16V Turbo Zetec-E / ZVH / CVH			Escort, Orion, Fiesta MK3, Mondeo, Cougar, Focus 2.0 16V Zetec-E			Escort, Orion, Fiesta MK3, Mondeo, Cougar, Focus 2.0 16V Zetec-E			Focus, Mondeo, Duratec HE 2.0Ltr. 16V		
Years	up to 1998			up to 1998			from 1998			-		
Engine type	NGA			NGA			NGA			CJBA		
Displ. (cc)	1998cm ³			1998cm ³			1998cm ³			1999cm ³		
	Piston Kit Part No.	Bore size (mm)	Ring Set Part No.	Piston Kit Part No.	Bore size (mm)	Ring Set Part No.	Piston Kit Part No.	Bore size (mm)	Ring Set Part No.	Piston Kit Part No.	Bore size (mm)	Ring Set Part No.
	K9198DA	84,80	*850XTY	K9066DA	84,80	848XSX	K9394DA	84,80	848XSX	K9220DA	87,50	875XSX
	K9198D070	85,50	855XTY	K9066D070	85,50	855XSX	K9394D070	85,50	855XSX	K9220D050	88,00	880XSX
	K9198D120	86,00	860XTY	K9066D120	86,00	860XSX	K9394D120	86,00	860XSX	K9220D100	88,50	885XSX
Stroke	88mm			88mm			88mm			83,1mm		
Wössner Comp. ratio	8,0:1			12,0:1			12,0:1			12,5:1		
OE Comp. ratio	10,0:1			10,0:1			10,0:1			10,8:1		
Dome Volume (cc)	-15,3cm ³			+10,6cm ³			+10,6cm ³			+5,28cm ³		
Comp. Height (mm)	32mm			33mm			28mm			28,65mm		
Valves per Cylinder	4			4*			4			4		
Cylinder No.	4			4			4			4		
Piston weight in grams	340gr.			341gr.			314gr.			345gr.		
Clip Part No.	CW21 (20.63)			CW21 (20.63)			CW21 (20.63)			CW21		
Pin Part No.	WP095			WP095			WP095			WP034		
Rod length	136,18			136,18			140,8			146,25		
Price Code	A			A			A			A		
Top End Gasket Kit	-			-			-			-		
Wössner Connecting rods	-			-			-			PL040		

* Rings need to be shortened / Ringe müssen gekürzt werden.

FORD®



	Focus, Mondeo Duratec HE 2.0Ltr. 16V Turbo			Focus, Mondeo Duratec 2.3Ltr. 16V			Focus, Mondeo Duratec 2.3Ltr. 16V Turbo			Focus, Mondeo Duratec 2.5Ltr. 16V		
Model												
Years	-			-			-			-		
Engine type	CJBA			CJBA			CJBA			CJBA		
Displ. (cc)	1999cm ³			2259cm ³			2259cm ³			2428cm ³		
	Piston Kit Part No.	Bore size (mm)	Ring Set Part No.	Piston Kit Part No.	Bore size (mm)	Ring Set Part No.	Piston Kit Part No.	Bore size (mm)	Ring Set Part No.	Piston Kit Part No.	Bore size (mm)	Ring Set Part No.
	K9272DA	87,50	875XTY	K9282D010	87,50	875XSX	K9283D010	87,50	875XTY	K9284D010	87,50	875XSX
	K9272D050	88,00	880XTY	K9282D060	88,00	880XSX	K9283D060	88,00	880XTY	K9284D060	88,00	880XSX
	K9272D100	88,50	885XTY	K9282D110	88,50	885XSX	K9283D110	88,50	885XTY	K9284D110	88,50	885XSX
	-	-	-	K9282D160	89,00	890XSX	K9283D160	89,00	890XTY	K9284D160	89,00	890XSX
Stroke	83,1mm			94mm			94mm			101mm		
Wössner Comp. ratio	8,5:1			14,1:1			9,0:1			12,5:1		
OE Comp. ratio	10,8:1			10,4:1			10,4:1			10,4:1		
Dome Volume (cc)	-17,8cm ³			+5,00cm ³			-			-		
Comp. Height (mm)	28mm			28,65mm			28,5mm			28,5mm		
Valves per Cylinder	4			4			4			4		
Cylinder No.	4			4			4			4		
Piston weight in grams	309gr.			335gr.			-			-		
Clip Part No.	CW21			CW21			CW21			CW21		
Pin Part No.	WP092			WP034			-			-		
Rod length	146,25			154,78			154,78			154,78		
Price Code	A			A			A			A		
Top End Gasket Kit	-			-			-			-		
Wössner Connecting rods	PL040			-			-			-		

F

FORD®



	Escort, Fiesta RS Turbo			Focus ST 2.5Ltr. 20V Turbo		
Model						
Years	-			-		
Engine type	CVH			-		
Displ. (cc)	1597cm ³			2522cm ³		
	Piston Kit Part No.	Bore size (mm)	Ring Set Part No.	Piston Kit Part No.	Bore size (mm)	Ring Set Part No.
	K9216DA	80,00	800XTZ	K9276DA	83,00	830XTY
	K9216D050	80,50	805XTZ	K9276D050	83,50	835XTY
	K9216D100	81,00	810XTY	K9276D100	84,00	840XTY
Stroke	79,52mm			93,2mm		
Wössner Comp. ratio	7,5:1			8,5:1		
OE Comp. ratio	8,3:1			9,0:1		
Dome Volume (cc)	-0,2cm ³			-		
Comp. Height (mm)	38,8mm			28,40mm		
Valves per Cylinder	4			4		
Cylinder No.	4			5		
Piston weight in grams	338gr.			290gr.		
Clip Part No.	CW21 (20.63)			CW21		
Pin Part No.	WP095			WP092		
Rod length	132			-		
Price Code	A			C		
Top End Gasket Kit	-			-		
Wössner Connecting rods	-			-		

F

HONDA®



Model	Civic SI / Del Sol			Civic SI / Del Sol Turbo			Civic SI / Del Sol Turbo		
Years	1999-2000 / 1993-97			1999-2000 / 1993-97			1999-2000 / 1993-97		
Engine type	B16A1, A2, A3			B16A1, A2, A3			B16A1, A2, A3		
Displ. (cc)	1594cm ³			1594cm ³			1594cm ³		
	Piston Kit Part No.	Bore size (mm)	Ring Set Part No.	Piston Kit Part No.	Bore size (mm)	Ring Set Part No.	Piston Kit Part No.	Bore size (mm)	Ring Set Part No.
	K9087DA	81,00	810XSY	K9266DA	81,00	810XTY	K9434DA	81,00	810XTY
	K9087D050	81,50	815XSY	K9266D050	81,50	815XTY	K9434D050	81,50	815XTY
	K9087D100	82,00	820XSY	K9266D100	82,00	820XTY	K9434D100	82,00	820XTY
Stroke	77,4mm			77,4mm			77,4mm		
Wössner Comp. ratio	11,5:1			8,5:1			9,0:1		
OE Comp. ratio	10,2:1			10,2:1			10,2:1		
Dome Volume (cc)	+8,5cm ³			-6,8cm ³			-3,5cm ³		
Comp. Height (mm)	29,9mm			29,90mm			29,90mm		
Valves per Cylinder	4			4			4		
Cylinder No.	4			4			4		
Piston weight in grams	302gr.			294gr.			294gr.		
Clip Part No.	CW21			CW21			CW21		
Pin Part No.	WP051			WP051			WP051		
Rod length	134			134			134		
Price Code	A			A			A		
Top End Gasket Kit	-			-			-		
Wössner Connecting rods	-			-			-		

HONDA®



	³ Civic 1.6L V-Tec (158PS)			Civic 1.6L V-Tec Turbo (158PS)			Civic 1.6L V-Tec Turbo (158PS)		
Model									
Years	-			-			-		
Engine type	B16A			B16A			B16A		
Displ. (cc)	1595cm ³			1595cm ³			1595cm ³		
	Piston Kit Part No.	Bore size (mm)	Ring Set Part No.	Piston Kit Part No.	Bore size (mm)	Ring Set Part No.	Piston Kit Part No.	Bore size (mm)	Ring Set Part No.
	K9070DA	81,00	810XSY	K9162DA	81,00	810XTY	K9425DA	81,00	810XTY
	K9070D050	81,50	815XSY	K9162D050	81,50	815XTY	K9425D050	81,50	815XTY
	K9070D100	82,00	820XSY	K9162D100	82,00	820XTY	K9425D100	82,00	820XTY
Stroke	77,4mm			77,4mm			77,4mm		
Wössner Comp. ratio	11,5:1			8,0:1			9,0:1		
OE Comp. ratio	10,2:1			10,2:1			10,2:1		
Dome Volume (cc)	+4,85cm ³			-			-		
Comp. Height (mm)	30,1mm			29,85mm			29,85mm		
Valves per Cylinder	4			4			4		
Cylinder No.	4			4			4		
Piston weight in grams	288gr.			280gr.			280gr.		
Clip Part No.	CW21			CW21			CW21		
Pin Part No.	WP013			WP034			WP034		
Rod length	134,4			134,4			134,4		
Price Code	A			A			A		
Top End Gasket Kit	see gasket list side 117-119			see gasket list side 117-119			see gasket list side 117-119		
Wössner Connecting rods	-			-			-		

³ Engines and pistons are identical. Different displacement prove different comp. Ratio's.

HONDA®



Model	Civic EX, SI / Del Sol			Civic EX, SI / Del Sol Turbo			Civic EX, SI / Del Sol Turbo		
Years	1992-95 / 1993-95			1992-95 / 1993-95			1992-95 / 1993-95		
Engine type	D16Z6, D16Z7, D16Z9			D16Z6, D16Z7, D16Z9			D16Z6, D16Z7, D16Z9		
Displ. (cc)	1590cm ³			1590cm ³			1590cm ³		
	Piston Kit Part No.	Bore size (mm)	Ring Set Part No.	Piston Kit Part No.	Bore size (mm)	Ring Set Part No.	Piston Kit Part No.	Bore size (mm)	Ring Set Part No.
	K9267DA	75,00	750XDS	K9161DA	75,00	750XTZ	K9426DA	75,00	750XTZ
	K9267D050	75,50	755XDS	K9161D050	75,50	755XTZ	K9426D050	75,50	755XTZ
	K9267D100	76,00	760XDS	K9161D100	76,00	760XTZ	K9426D100	76,00	760XTZ
	K9267D150	76,50	765XDS	K9161D150	76,50	765XTZ	K9426D150	76,50	765XTZ
Stroke	90mm			90mm			90mm		
Wössner Comp. ratio	11,5:1			8,0:1			9,0:1		
OE Comp. ratio	9,4:1			9,4:1			9,4:1		
Dome Volume (cc)	+9,8 cm ³			-3,25cm ³			+3,85cm ³		
Comp. Height (mm)	29,80mm			29,8mm			29,8mm		
Valves per Cylinder	2			2			2		
Cylinder No.	4			4			4		
Piston weight in grams	283gr.			257gr.			257gr.		
Clip Part No.	CW19			CW19			CW19		
Pin Part No.	WP050			WP037			WP037		
Rod length	137			137			137		
Price Code	A			A			A		
Top End Gasket Kit	see gasket list side 117-119			see gasket list side 117-119			see gasket list side 117-119		
Wössner Connecting rods	-			-			-		

H

HONDA®



Model	Civic EX, Coupe ISR / Del Sol V-Tec SOHC Turbo			Civic EX, Coupe ISR / Del Sol V-Tec SOHC Turbo		
Years	1996-98			1996-98		
Engine type	D16Y8			D16Y8		
Displ. (cc)	1590cm ³			1590cm ³		
	Piston Kit Part No.	Bore size (mm)	Ring Set Part No.	Piston Kit Part No.	Bore size (mm)	Ring Set Part No.
	K9085DA	75,00	750XTZ	K9427DA	75,00	750XTZ
	K9085D050	75,50	755XTZ	K9427D050	75,50	755XTZ
	K9085D100	76,00	760XTZ	K9427D100	76,00	760XTZ
Stroke	90mm			90mm		
Wössner Comp. ratio	8,0:1			9,0:1		
OE Comp. ratio	9,6:1			9,6:1		
Dome Volume (cc)	-3,25cm ³			+3,85cm ³		
Comp. Height (mm)	29,2mm			29,2mm		
Valves per Cylinder	4			4		
Cylinder No.	4			4		
Piston weight in grams	257gr.			257gr.		
Clip Part No.	CW19			CW19		
Pin Part No.	WP037			WP037		
Rod length	137			137		
Price Code	A			A		
Top End Gasket Kit	see gasket list side 117-119			see gasket list side 117-119		
Wössner Connecting rods	-			-		

H

HONDA®



Model	³ Integra GSR			Integra GSR Turbo			Integra GSR Turbo		
Years	1992-93			1992-93			1992-93		
Engine type	B17A1			B17A1			B17A1		
Displ. (cc)	1677cm ³			1677cm ³			1677cm ³		
	Piston Kit Part No.	Bore size (mm)	Ring Set Part No.	Piston Kit Part No.	Bore size (mm)	Ring Set Part No.	Piston Kit Part No.	Bore size (mm)	Ring Set Part No.
	K9070DA	81,00	810XSY	K9159DA	81,00	810XTY	K9428DA	81,00	810XTY
	K9070D050	81,50	815XSY	K9159D050	81,50	815XTY	K9428D050	81,50	815XTY
	K9070D100	82,00	820XSY	K9159D100	82,00	820XTY	K9428D100	82,00	820XTY
Stroke	81,4mm			81,4mm			81,4mm		
Wössner Comp. ratio	11,2:1			8,5:1			9,0:1		
OE Comp. ratio	9,4:1			9,4:1			9,4:1		
Dome Volume (cc)	+4,85cm ³			-			-		
Comp. Height (mm)	30,1mm			30mm			30mm		
Valves per Cylinder	4			4			4		
Cylinder No.	4			4			4		
Piston weight in grams	288gr.			274gr.			274gr.		
Clip Part No.	CW21			CW21			CW21		
Pin Part No.	WP013			WP034			WP034		
Rod length	132,28			132,28			132,28		
Price Code	A			A			A		
Top End Gasket Kit	see gasket list side 117-119			see gasket list side 117-119			see gasket list side 117-119		
Wössner Connecting rods	-			-			-		

³ Engines and pistons are identical. Different displacement prove different comp. Ratio's.

HONDA®



Model	Integra Typ R 1.8Ltr. V-Tec			Integra Typ R 1.8Ltr. V-Tec Turbo		
Years	1997-2000			1997-2000		
Engine type	B18C5, C6			B18C5, C6		
Displ. (cc)	1792cm ³			1792cm ³		
	Piston Kit Part No.	Bore size (mm)	Ring Set Part No.	Piston Kit Part No.	Bore size (mm)	Ring Set Part No.
	K9069DA	81,00	810XSY	K9210DA	81,00	810XTY
	K9069D050	81,50	815XSY	K9210D050	81,50	815XTY
	K9069D100	82,00	820XSY	K9210D100	82,00	820XTY
Stroke	87mm			87mm		
Wössner Comp. ratio	11,7:1			9:1		
OE Comp. ratio	10,6:1			10,6:1		
Dome Volume (cc)	+3,4cm ³			-6,5cm ³		
Comp. Height (mm)	30mm			30mm		
Valves per Cylinder	4			4		
Cylinder No.	4			4		
Piston weight in grams	298gr.			292gr.		
Clip Part No.	CW21			CW21		
Pin Part No.	WP013			WP092		
Rod length	137			137		
Price Code	A			A		
Top End Gasket Kit	see gasket list side 117-119			see gasket list side 117-119		
Wössner Connecting rods	-			-		

H

HONDA®



Model	Civic 1.8Ltr. 16V VTI Turbo			³ Civic 1.8Ltr.16V VTI (170PS)		
Years	-			-		
Engine type	B18C4			B18C		
Displ. (cc)	1797cm ³			1797cm ³		
	Piston Kit Part No.	Bore size (mm)	Ring Set Part No.	Piston Kit Part No.	Bore size (mm)	Ring Set Part No.
	K9165DA	81,00	810XTY	K9070DA	81,00	810XSY
	K9165D050	81,50	815XTY	K9070D050	81,50	815XSY
	K9165D100	82,00	820XTY	K9070D100	82,00	820XSY
Stroke	87,2mm			87,2mm		
Wössner Comp. ratio	9,0:1			12,2:1		
OE Comp. ratio	10,0:1			10,0:1		
Dome Volume (cc)	-11,78cm ³			+4,85cm ³		
Comp. Height (mm)	30,1mm			30mm		
Valves per Cylinder	4			4		
Cylinder No.	4			4		
Piston weight in grams	294gr.			288gr.		
Clip Part No.	CW21			CW21		
Pin Part No.	WP092			WP013		
Rod length	138			138		
Price Code	A			A		
Top End Gasket Kit	-			see gasket list side 117-119		
Wössner Connecting rods	-			-		

³ Engines and pistons are identical. Different displacement prove different comp. Ratio's.

HONDA®



Model	Integra GSR			Integra GSR Turbo			Integra Non-VTEC			Integra Non-VTEC Turbo		
Years	1994-2001			1994-2001			1990-2001			1990-2001		
Engine type	B18C1			B18C1			B18A1/B1			B18A1/B1		
Displ. (cc)	1796cm ³			1796cm ³			1833cm ³			1833cm ³		
	Piston Kit Part No.	Bore size (mm)	Ring Set Part No.	Piston Kit Part No.	Bore size (mm)	Ring Set Part No.	Piston Kit Part No.	Bore size (mm)	Ring Set Part No.	Piston Kit Part No.	Bore size (mm)	Ring Set Part No.
	K9264DA	81,00	810XSY	K9265DA	81,00	810XTY	K9170DA	81,00	810XSY	K9168DA	81,00	810XTY
	K9264D050	81,50	815XSY	K9265D050	81,50	815XTY	K9170D050	81,50	815XSY	K9168D050	81,50	815XTY
	K9264D100	82,00	820XSY	K9265D100	82,00	820XTY	K9170D100	82,00	820XSY	K9168D100	82,00	820XTY
Stroke	87,2mm			87,2mm			89mm			89mm		
Wössner Comp. ratio	12,0:1			9,0:1			11,6:1			8,5:1		
OE Comp. ratio	10:1			10:1			9,2:1			9,2:1		
Dome Volume (cc)	+6 cm ³			-9 cm ³			-			-9,5 cm ³		
Comp. Height (mm)	30,10mm			30,10mm			30mm			30mm		
Valves per Cylinder	4			4			4			4		
Cylinder No.	4			4			4			4		
Piston weight in grams	312gr.			300gr.			-			290gr.		
Clip Part No.	CW21			CW21			-			CW21		
Pin Part No.	WP034			WP092			-			WP092		
Rod length	138			138			137			137		
Price Code	A			A			A			A		
Top End Gasket Kit	see gasket list side 117-119			see gasket list side 117-119			see gasket list side 117-119			see gasket list side 117-119		
Wössner Connecting rods	-			-			-			-		

H

HONDA®



Model	S2000			S2000 Stroker Kit			S2000 Turbo			S2000 Turbo		
Years	2000-03			2000-03			2000-03			2000-03		
Engine type	F20C, C1			F20C, C1			F20C, C1			F20C, C1		
Displ. (cc)	1997cm ³			2155cm ³			1997cm ³			1997cm ³		
	Piston Kit Part No.	Bore size (mm)	Ring Set Part No.	Piston Kit Part No.	Bore size (mm)	Ring Set Part No.	Piston Kit Part No.	Bore size (mm)	Ring Set Part No.	Piston Kit Part No.	Bore size (mm)	Ring Set Part No.
	K9208DA	87,00	870XSY	K9245DA	87,00	870XTY	K9209DA	87,00	870XTY	K9435DA	87,00	870XTY
	K9208D050	87,50	875XSY	-	-	-	K9209D050	87,50	875XTY	K9435D050	87,50	875XTY
	K9208D100	88,00	880XSY	-	-	-	K9209D100	88,00	880XTY	K9435D100	88,00	880XTY
Stroke	84mm			90,7mm			84mm			84mm		
Wössner Comp. ratio	11,7:1			8,5:1			8,5:1			9,0:1		
OE Comp. ratio	11,0:1			11,0:1			11,0:1			11,0:1		
Dome Volume (cc)	+9,4cm ³			-			-13,7cm ³			-9,4cm ³		
Comp. Height (mm)	30mm			26,7mm			30mm			30mm		
Valves per Cylinder	4			4			4			4		
Cylinder No.	4			4			4			4		
Piston weight in grams	336gr.			-			298gr.			298gr.		
Clip Part No.	CW23			CW23			CW23			CW23		
Pin Part No.	WP024			WP024			WP024			WP024		
Rod length	153			153			153			153		
Price Code	A			A			A			A		
Top End Gasket Kit	see gasket list side 117-119			see gasket list side 117-119			see gasket list side 117-119			see gasket list side 117-119		
Wössner Connecting rods	PL043			PL043			PL043			PL043		

H

HONDA®



Model	RSX Type S / Civic Typ R			RSX Type S / Civic Typ R Turbo			RSX Type S / Civic Typ R Stroker Kit		
Years	2002 up / 2001-07			2002 up / 2001-07			2002 up / 2001-07		
Engine type	K20A2/A3			K20A2/A3			K20A2/A3		
Displ. (cc)	1997cm ³			1997cm ³			2136cm ³		
	Piston Kit Part No.	Bore size (mm)	Ring Set Part No.	Piston Kit Part No.	Bore size (mm)	Ring Set Part No.	Piston Kit Part No.	Bore size (mm)	Ring Set Part No.
	K9088DA	86,00	860XSY	K9244DA	86,00	860XTY	K9243DA	86,00	860XSY
	K9088D050	86,50	865XSY	K9244D050	86,50	865XTY	K9243D050	86,50	865XSY
	K9088D100	87,00	870XSY	K9244D100	87,00	870XTY	-	-	-
Stroke	86mm			86mm			92mm		
Wössner Comp. ratio	12,0:1			9,0:1			12,3:1		
OE Comp. ratio	11,0:1			11,0:1			11,5:1		
Dome Volume (cc)	+7,85cm ³			-7,63cm ³			+8,25cm ³		
Comp. Height (mm)	30mm			30mm			27mm		
Valves per Cylinder	4			4			4		
Cylinder No.	4			4			4		
Piston weight in grams	318gr.			310gr.			291gr.		
Clip Part No.	CW22			CW22			CW22		
Pin Part No.	WP017			WP017			WP017		
Rod length	139			139			139		
Price Code	A			A			A		
Top End Gasket Kit	see gasket list side 117-119			see gasket list side 117-119			see gasket list side 117-119		
Wössner Connecting rods	PL003			PL003			PL003		

H

HONDA®



Model	CR-V Turbo			CR-V Turbo		
Years	1997-98			1997-98		
Engine type	B20B3			B20B3		
Displ. (cc)	1971cm ³			1971cm ³		
	Piston Kit Part No.	Bore size (mm)	Ring Set Part No.	Piston Kit Part No.	Bore size (mm)	Ring Set Part No.
	K9086DA	84,00	840XTY	K9437DA	84,00	840XTY
	K9086D050	84,50	845XTY	K9437D050	84,50	845XTY
	K9086D100	85,00	850XTY	K9437D100	85,00	850XTY
Stroke	89mm			89mm		
Wössner Comp. ratio	8,0:1			9,0:1		
OE Comp. ratio	8,8:1			8,8:1		
Dome Volume (cc)	-18,8 cm ³			-10 cm ³		
Comp. Height (mm)	30mm			30mm		
Valves per Cylinder	4			4		
Cylinder No.	4			4		
Piston weight in grams	306gr.			306gr.		
Clip Part No.	CW21			CW21		
Pin Part No.	WP092			WP092		
Rod length	137			137		
Price Code	A			A		
Top End Gasket Kit	-			-		
Wössner Connecting rods	-			-		

H

HONDA®



Model	Prelude SI / Prelude Turbo			Prelude SI / Prelude			Prelude 2.2Ltr. DOHC V-Tec			Prelude SI 1992-96 / Prelude 1997-2001		
Years	1992-96 / 1997-2001			1992-96 / 1997-2001			-			-		
Engine type	H22A1/A4			H22A1/A4			H22			H23A1		
Displ. (cc)	2155cm ³			2155cm ³			2138cm ³			2283cm ³		
	Piston Kit Part No.	Bore size (mm)	Ring Set Part No.	Piston Kit Part No.	Bore size (mm)	Ring Set Part No.	Piston Kit Part No.	Bore size (mm)	Ring Set Part No.	Piston Kit Part No.	Bore size (mm)	Ring Set Part No.
	K9157DA	87,00	870XTY	K9158DA	87,00	870XSX	K9068DA	87,00	870XSX	K9067D050	87,50	875XSX
	K9157D100	88,00	880XTY	K9158D100	88,00	880XSX	K9068D050	87,50	875XSX	K9067D100	88,00	880XSX
	K9157D200	89,00	890XTY	K9158D200	89,00	890XSX	K9068D100	88,00	880XSX	K9067D150	88,50	885XSX
Stroke	90,7mm			90,7mm			90mm			95mm		
Wössner Comp. ratio	8,0:1			11,6:1			12,0:1			11:1		
OE Comp. ratio	9,0:1			9,0:1			11,5:1			10:1		
Dome Volume (cc)	-			-			+7cm ³			-		
Comp. Height (mm)	31mm			31mm			30,9mm			30,5mm		
Valves per Cylinder	4			4			4			4		
Cylinder No.	4			4			4			4		
Piston weight in grams	-			-			348gr.			-		
Clip Part No.	CW22			CW22			CW22			-		
Pin Part No.	-			-			WP017			-		
Rod length	143			143			143			141,5		
Price Code	A			A			A			A		
Top End Gasket Kit	see gasket list side 117-119			see gasket list side 117-119			-			-		
Wössner Connecting rods	-			-			-			-		

H

HONDA®



	CRX 1.6 16V / V-Tec DOHC			CRX 1.6 16V / V-Tec DOHC Turbo		
Model						
Years	1987-92			1987-92		
Engine type	ED9 / EE8			ED9 / EE8		
Displ. (cc)	1610cm ³			1610cm ³		
	Piston Kit Part No.	Bore size (mm)	Ring Set Part No.	Piston Kit Part No.	Bore size (mm)	Ring Set Part No.
	K9206DA	75,00	750XDS	K9207DA	75,00	750XTZ
	K9206D050	75,50	755XDS	K9207D050	75,50	755XTZ
	K9206D100	76,00	760XDS	K9207D100	76,00	760XTZ
Stroke	90mm			90mm		
Wössner Comp. ratio	11,6:1			8,5:1		
OE Comp. ratio	10,5:1			10,5:1		
Dome Volume (cc)	+9,8cm ³			-4cm ³		
Comp. Height (mm)	29,2mm			29,2mm		
Valves per Cylinder	4			4		
Cylinder No.	4			4		
Piston weight in grams	283gr.			260gr.		
Clip Part No.	CW19			CW19		
Pin Part No.	WP050			WP037		
Rod length	-			-		
Price Code	A			A		
Top End Gasket Kit	-			-		
Wössner Connecting rods	-			-		

HYUNDAI®



Model	Tiburon, Coupe RC 1.8Ltr. 16V Beta 1, 1996-2001			Tiburon, Coupe RC 2.0Ltr. 16V Beta 1			Tiburon, Coupe GLS 2.7Ltr. V6		
Years	1996-2001			1996-2001			2003 up		
Engine type	S-4			S-4			-		
Displ. (cc)	1836cm ³			1974cm ³			2655cm ³		
	Piston Kit Part No.	Bore size (mm)	Ring Set Part No.	Piston Kit Part No.	Bore size (mm)	Ring Set Part No.	Piston Kit Part No.	Bore size (mm)	Ring Set Part No.
	K9226DA	81,50	815XSY	K9080DA	82,00	820XSY	K9227DA	86,70	*870XSY
	K9226D050	82,00	820XSY	K9080D050	82,50	825XSY	K9227D080	87,50	875XSY
	K9226D100	82,50	825XSY	K9080D100	83,00	830XSY	K9227D130	88,00	880XSY
Stroke	88mm			93,5mm			75mm		
Wössner Comp. ratio	12,0:1			12,0:1			12,0:1		
OE Comp. ratio	9,2:1			10,0:1			10,0:1		
Dome Volume (cc)	-			-			-		
Comp. Height (mm)	-			31mm			-		
Valves per Cylinder	4			4			4		
Cylinder No.	4			4			6		
Piston weight in grams	-			-			-		
Clip Part No.	0			*CW20			-		
Pin Part No.	-			-			-		
Rod length	-			146,1			-		
Price Code	A			A			G		
Top End Gasket Kit	-			-			-		
Wössner Connecting rods	-			-			-		

* Rings need to be shortened / Ringe müssen gekürzt werden.

LANCIA[®]



Model	Lybra 1.8Ltr. 16V Turbo			Delta Integrale 2.0Ltr. Turbo 8V			Delta Integrale 2.0Ltr. Turbo 16V			Stratos		
Years	-			-			-			1969-74		
Engine type	188 A			835			836			-		
Displ. (cc)	1746cm ³			1995cm ³			1995cm ³			2418cm ³		
	Piston Kit Part No.	Bore size (mm)	Ring Set Part No.	Piston Kit Part No.	Bore size (mm)	Ring Set Part No.	Piston Kit Part No.	Bore size (mm)	Ring Set Part No.	Piston Kit Part No.	Bore size (mm)	Ring Set Part No.
	K9274DA	82,00	820XTY	K9010DA	84,00	840XTY	K9011DA	84,00	840XTY	K9101DA	92,50	925XSY
	K9274D050	82,50	825XTY	K9010D020	84,20	842XTY	K9011D020	84,20	842XTY	K9101D050	93,00	930XSY
	K9274D100	83,00	830XTY	K9010D040	84,40	844XTY	K9011D040	84,40	844XTY	K9101D100	93,50	935XSY
	-	-	-	K9010D060	84,60	846XTY	K9011D060	84,60	846XTY	K9101D150	94,00	940XSY
	-	-	-	K9010D080	84,80	848XTY	K9011D080	84,80	848XTY	-	-	-
Stroke	82,7mm			90mm			90mm			60mm		
Wössner Comp. ratio	9,0:1			8,0:1			8,0:1			10,0:1		
OE Comp. ratio	10,3:1			8,0:1			8,0:1			9,0:1		
Dome Volume (cc)	-12,40cm ³			-17,45cm ³			-8,5cm ³			-		
Comp. Height (mm)	28,40mm			39,65mm			39,65mm			30mm		
Valves per Cylinder	4			2			4			2		
Cylinder No.	4			4			4			6		
Piston weight in grams	284gr.			331gr.			346gr.			302gr.		
Clip Part No.	CW20			CW22			CW22			CW20		
Pin Part No.	WP061			WP046			WP046			WP052		
Rod length	-			145			145			117,92		
Price Code	A			A			A			G		
Top End Gasket Kit	-			see gasket list side 117-119			see gasket list side 117-119			-		
Wössner Connecting rods	-			PL001			PL001			-		

MAZDA®



Model	Miata / MX-5 1.6Ltr. 16V			Miata / MX-5 1.6Ltr.16V Turbo			Miata / MX-5 1.6Ltr.16V Turbo		
Years	-			-			-		
Engine type	ABK / NA			ABK / NA			ABK / NA		
Displ. (cc)	1615cm ³			1615cm ³			1615cm ³		
	Piston Kit Part No.	Bore size (mm)	Ring Set Part No.	Piston Kit Part No.	Bore size (mm)	Ring Set Part No.	Piston Kit Part No.	Bore size (mm)	Ring Set Part No.
	K9079D050	78,50	785XDS	K9099D050	78,50	785XTZ	K9438D050	78,50	785XTZ
	K9079D100	79,00	790XDS	K9099D100	79,00	790XTZ	K9438D100	79,00	790XTZ
	K9079D150	79,50	795XDS	K9099D150	79,50	795XTZ	K9438D150	79,50	795XTZ
Stroke	83,5mm			83,5mm			83,5mm		
Wössner Comp. ratio	11,0:1			8,0:1			9,0:1		
OE Comp. ratio	9,4:1			9,4:1			9,4:1		
Dome Volume (cc)	+5,3cm ³			-12cm ³			-5cm ³		
Comp. Height (mm)	32,4mm			32,4mm			32,4mm		
Valves per Cylinder	4			4			4		
Cylinder No.	4			4			4		
Piston weight in grams	305gr.			282gr.			282gr.		
Clip Part No.	CW20			CW20			CW20		
Pin Part No.	WP038			WP052			WP052		
Rod length	133			133			133		
Price Code	A			A			A		
Top End Gasket Kit	see gasket list side 117-119			see gasket list side 117-119			see gasket list side 117-119		
Wössner Connecting rods	PL007			PL007			PL007		

MAZDA®



Model	Miata / MX-5 1.8Ltr.16V			Miata / MX-5 1.8Ltr.16V Turbo			Miata / MX-5 1.8Ltr.16V Turbo		
Years	1994-2005			1994-2005			1994-2005		
Engine type	BP / NB			BP / NB			BP / NB		
Displ. (cc)	1860cm ³			1860cm ³			1860cm ³		
	Piston Kit Part No.	Bore size (mm)	Ring Set Part No.	Piston Kit Part No.	Bore size (mm)	Ring Set Part No.	Piston Kit Part No.	Bore size (mm)	Ring Set Part No.
	K9078DA	83,00	830XSY	K9100DA	83,00	830XTY	K9436DA	83,00	830XTY
	K9078D050	83,50	835XSY	K9100D050	83,50	835XTY	K9436D050	83,50	835XTY
	K9078D100	84,00	840XSY	K9100D100	84,00	840XTY	K9436D100	84,00	840XTY
	K9078D150	84,50	845XSY	K9100D150	84,50	845XTY	K9436D150	84,50	845XTY
	K9078D200	85,00	850XSY	-	-	-	-	-	-
Stroke	85mm			85mm			85mm		
Wössner Comp. ratio	12,0:1			8,6:1			9,0:1		
OE Comp. ratio	11,0:1			11,0:1			11,0:1		
Dome Volume (cc)	+7cm ³			-3,4cm ³			-0,3cm ³		
Comp. Height (mm)	31,2mm			31,2mm			31,2mm		
Valves per Cylinder	4			4			4		
Cylinder No.	4			4			4		
Piston weight in grams	326gr.			318gr.			318gr.		
Clip Part No.	CW20			CW20			CW20		
Pin Part No.	WP052			WP052			WP052		
Rod length	133			133			133		
Pric Ccode	A			A			A		
Top End Gasket Kit	-			-			-		
Wössner Connecting rods	PL007			PL007			PL007		

M

MAZDA®



	Miata / MX-5 2.0Ltr. 16V Turbo			Miata / MX-5 2.0Ltr. 16V Turbo			MX-6, 626 2.0Ltr. FS Turbo		
Model									
Years	-			-			-		
Engine type	MZR 14 / NC			MZR 14 / NC			-		
Displ. (cc)	1999cm ³			1999cm ³			1990cm ³		
	Piston Kit Part No.	Bore size (mm)	Ring Set Part No.	Piston Kit Part No.	Bore size (mm)	Ring Set Part No.	Piston Kit Part No.	Bore size (mm)	Ring Set Part No.
	K9228DA	87,50	875XTY	K9439DA	87,50	875XTY	K9121DA	83,00	830XTY
	K9228D050	88,00	880XTY	K9439D050	88,00	880XTY	K9121D050	83,50	835XTY
	K9228D100	88,50	885XTY	K9439D100	88,50	885XTY	K9121D100	84,00	840XTY
Stroke	83,10mm			83,10mm			92mm		
Wössner Comp. ratio	8,5:1			9,0:1			8,5:1		
OE Comp. ratio	10,8:1			10,8:1			9,2:1		
Dome Volume (cc)	-16,28cm ³			-12,1cm ³			-		
Comp. Height (mm)	28,4mm			28,4mm			29mm		
Valves per Cylinder	4			4			4		
Cylinder No.	4			4			4		
Piston weight i n grams	325gr.			325gr.			-		
Clip Part No.	CW21			CW21			CW19		
Pin Part No.	WP034			WP034			-		
Rod length	-			-			135		
Price Code	A			A			A		
Top End Gasket Kit	see gasket list side 117-119			see gasket list side 117-119			-		
Wössner Connecting rods	-			-			-		

MG[®]



	ZR 1.4Ltr. 16V			ZR, ZS, ZT, F, TF 1.8Ltr. 16V		
Model	ZR 1.4Ltr. 16V			ZR, ZS, ZT, F, TF 1.8Ltr. 16V		
Years	-			-		
Engine type	14K4F			18K4F		
Displ. (cc)	1395cm ³			1796cm ³		
	Piston Kit Part No.	Bore size (mm)	Ring Set Part No.	Piston Kit Part No.	Bore size (mm)	Ring Set Part No.
	K9221DA	75,00	750XDS	K9222DA	80,00	800XDS
	K9221D050	75,50	755XDS	K9222D050	80,50	805XDS
	K9221D100	76,00	760XDS	K9222D100	81,00	810XSY
Stroke	79mm			89,3mm		
Wössner Comp. ratio	12,5:1			12,0:1		
OE Comp. ratio	10,3:1			10,5:1		
Dome Volume (cc)	+10,7 cm ³			-		
Comp. Height (mm)	22,5mm			24,46mm		
Valves per Cylinder	4			4		
Cylinder No.	4			4		
Piston weight in grams	218gr.			253gr.		
Clip Part No.	CW18			CW18		
Pin Part No.	WP031			WP099		
Rod length	139,4			133,1		
Price Code	A			A		
Top End Gasket Kit	-			see gasket list side 117-119		
Wössner Connecting rods	-			-		

M

MINI COOPER®



Model	Cooper S 2002 and later		
Years	-		
Engine type	-		
Displ. (cc)	1591cm ³		
	Piston Kit Part No.	Bore size (mm)	Ring Set Part No.
	K9123DA	77,00	770XTZ
	K9123D025	77,25	*775XTZ
	K9123D050	77,50	775XTZ
Stroke	85,5mm		
Wössner Comp. ratio	8,3:1		
OE Comp. ratio	8,3:1		
Dome Volume (cc)	-1,25cm ³		
Comp. Height (mm)	26,5mm		
Valves per Cylinder	4		
Cylinder No.	4		
Piston weight in grams	236gr.		
Clip Part No.	CW21		
Pin Part No.	WP051		
Rod length	131,5		
Price Code	A		
Top End Gasket Kit	see gasket list side 117-119		
Wössner Connecting rods	-		

* Rings need to be shortened / Ringe müssen gekürzt werden.

MITSUBISHI®



Model	Eclipse, Talon EVO 1-3			Eclipse, Talon EVO 1-3			Eclipse, Talon EVO 1-3 Stroker Kit			Eclipse, Talon EVO 1-3 Stroker Kit		
Years	1988-92			1988-92			1988-92			1988-92		
Engine type	4G63			4G63			4G64			4G64		
Displ. (cc)	1997cm ³			1997cm ³			2314cm ³			2314cm ³		
	Piston Kit Part No.	Bore size (mm)	Ring Set Part No.	Piston Kit Part No.	Bore size (mm)	Ring Set Part No.	Piston Kit Part No.	Bore size (mm)	Ring Set Part No.	Piston Kit Part No.	Bore size (mm)	Ring Set Part No.
	K9063DA	85,00	850XTY	K9442DA	85,00	850XTY	K9242D050	85,50	855XTY	K9459D050	85,50	855XTY
	K9063D050	85,50	855XTY	K9442D050	85,50	855XTY	K9242D100	86,00	860XTY	K9459D100	86,00	860XTY
	K9063D100	86,00	860XTY	K9442D100	86,00	860XTY	-	-	-	-	-	-
	K9063D150	86,50	865XTY	K9442D150	86,50	865XTY	-	-	-	-	-	-
Stroke	88mm			88mm			100mm			100mm		
Wössner Comp. ratio	8,0:1			9,0:1			8,0:1			9,0:1		
OE Comp. ratio	8,5:1			8,5:1			8,5:1			8,5:1		
Dome Volume (cc)	-14,6cm ³			-5,7cm ³			-26,4cm ³			-16cm ³		
Comp. Height (mm)	34,7 mm			34,7mm			28,7mm			28,7mm		
Valves per Cylinder	4			4			4			4		
Cylinder No.	4			4			4			4		
Piston weight in grams	335gr.			335gr.			-			-		
Clip Part No.	CW21			CW21			CW21			CW21		
Pin Part No.	WP092			WP092			WP092			WP092		
Rod length	150			150			150			150		
Price Code	A			A			A			A		
Top End Gasket Kit	see gasket list side 117-119			see gasket list side 117-119			see gasket list side 117-119			see gasket list side 117-119		
Wössner Connecting rods	-			-			-			-		

M

MITSUBISHI®



Model	Eclipse, Talon EVO 4-7			Eclipse, Talon EVO 4-7			Eclipse, Talon, EVO 4-7 Stroker Kit			Eclipse, Talon EVO 4-7 Stroker Kit		
Years	1992 up			1992 up			1992 up			1992 up		
Engine type	4G63			4G63			4G64			4G64		
Displ. (cc)	1997cm ³			1997cm ³			2314cm ³			2314cm ³		
	Piston Kit Part No.	Bore size (mm)	Ring Set Part No.	Piston Kit Part No.	Bore size (mm)	Ring Set Part No.	Piston Kit Part No.	Bore size (mm)	Ring Set Part No.	Piston Kit Part No.	Bore size (mm)	Ring Set Part No.
	K9062DA	85,00	850XTY	K9441DA	85,00	850XTY	K9251D050	85,50	855XTY	K9460D050	85,50	855XTY
	K9062D050	85,50	855XTY	K9441D050	85,50	855XTY	K9251D100	86,00	860XTY	K9460D100	86,00	860XTY
	K9062D100	86,00	860XTY	K9441D100	86,00	860XTY	-	-	-	-	-	-
	K9062D150	86,50	865XTY	K9441D150	86,50	865XTY	-	-	-	-	-	-
	K9062D200	87,00	870XTY	K9441D200	87,00	870XTY	-	-	-	-	-	-
Stroke	88mm			88mm			100mm			100mm		
Wössner Comp. ratio	8,0:1			9,0:1			8,0:1			9,0:1		
OE Comp. ratio	8,8:1			8,8:1			8,8:1			8,8:1		
Dome Volume (cc)	-14,6cm ³			-5,7cm ³			-25,8cm ³			-16cm ³		
Comp. Height (mm)	34,7mm			34,7mm			28,7mm			28,7mm		
Valves per Cylinder	4			4			4			4		
Cylinder No.	4			4			4			4		
Piston weight in grams	344gr.			344gr.			-			-		
Clip Part No.	CW22			CW22			CW22			CW22		
Pin Part No.	WP046			WP046			WP046			WP046		
Rod length	150			150			150			150		
Price Code	A			A			A			A		
Top End Gasket Kit	see gasket list side 117-119			see gasket list side 117-119			see gasket list side 117-119			see gasket list side 117-119		
Wössner Connecting rods	PL008			PL008			-			-		

MITSUBISHI®

Model	EVO 8-9			EVO 8-9			EVO 8-9 Stroker Kit			EVO 8-9 Stroker Kit		
Years	2003 up			2003 up			2003 up			2003 up		
Engine type	4G63			4G63			4G64			4G64		
Displ. (cc)	1997cm ³			1997cm ³			2314cm ³			2314cm ³		
	Piston Kit Part No.	Bore size (mm)	Ring Set Part No.	Piston Kit Part No.	Bore size (mm)	Ring Set Part No.	Piston Kit Part No.	Bore size (mm)	Ring Set Part No.	Piston Kit Part No.	Bore size (mm)	Ring Set Part No.
	K9125DA	85,00	850XTY	K9455DA	85,00	850XTY	K9241DA	85,00	850XTY	K9462D050	85,50	855XTY
	K9125D050	85,50	855XTY	K9455D050	85,50	855XTY	K9241D050	85,50	855XTY	K9462D100	86,00	860XTY
	K9125D100	86,00	860XTY	K9455D100	86,00	860XTY	-	-	-	-	-	-
Stroke	88mm			88mm			100mm			100mm		
Wössner Comp. ratio	8:1			9:1			9:1			8:1		
OE Comp. ratio	8,8:1			8,8:1			8,8:1			8,8:1		
Dome Volume (cc)	-13,7 cm ³			-5,2 cm ³			-14cm ³			-24,2cm ³		
Comp. Height (mm)	34,30mm			34,30mm			28,30mm			28,30mm		
Valves per Cylinder	4			4			4			4		
Cylinder No.	4			4			4			4		
Piston weight in grams	320gr.			320gr.			290gr.			290gr.		
Clip Part No.	CW22			CW22			CW22			CW22		
Pin Part No.	WP046			WP046			WP046			WP046		
Rod length	150			150			150			150		
Price Code	A			A			A			A		
Top End Gasket Kit	see gasket list side 117-119			see gasket list side 117-119			see gasket list side 117-119			see gasket list side 117-119		
Wössner Connecting rods	PL008			PL008			-			-		

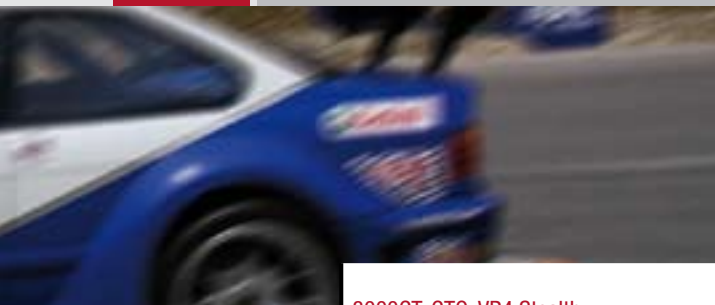
M

MITSUBISHI®



Model	EVO 10 RS			2.0Ltr. Eclipse, Eagle Talon			Eclipse, Eagle Talon DOHC		
Years	2007 up			-			1995-99 / 1995-98		
Engine type	4B11 MIVEC			4G63			ECB, 420A		
Displ. (cc)	1997cm ³			1996cm ³			1995cm ³		
	Piston Kit Part No.	Bore size (mm)	Ring Set Part No.	Piston Kit Part No.	Bore size (mm)	Ring Set Part No.	Piston Kit Part No.	Bore size (mm)	Ring Set Part No.
	K9279DA	86,00	860XTY	K9064DA	85,00	850XTY	K9084DA	87,50	875XSY
	K9279D050	86,50	865XTY	K9064D050	85,50	855XTY	K9084D050	88,00	880XSY
	K9279D100	87,00	870XTY	K9064D100	86,00	860XTY	K9084D100	88,50	885XSY
	-	-	-	K9064D150	86,50	865XTY	-	-	-
	-	-	-	K9064D200	87,00	870XTY	-	-	-
Stroke	86mm			88mm			83mm		
Wössner Comp. ratio	8,55:1			8,0:1			11,5:1		
OE Comp. ratio	9,0:1			8,3:1			9,6:1		
Dome Volume (cc)	-8,9cm ³			-17cm ³			-		
Comp. Height (mm)	33,3mm			35mm			31,4mm		
Valves per Cylinder	4			4			4		
Cylinder No.	4			4			4		
Piston weight in grams	348gr.			328gr.			347gr.		
Clip Part No.	CW23			CW22			CW22		
Pin Part No.	WP094			WP046			WP017		
Rod length	140,75			150			139		
Price Code	A			A			A		
Top End Gasket Kit	-			see gasket list side 117-119			see gasket list side 117-119		
Wössner Connecting rods	-			PL008			-		

MITSUBISHI®



Model	3000GT, GTO, VR4 Stealth			3000GT, GTO, VR4 Stealth		
Years	1991-99			1991-99		
Engine type	6G72TT			6G72TT		
Displ. (cc)	2998cm ³			2998cm ³		
	Piston Kit Part No.	Bore size (mm)	Ring Set Part No.	Piston Kit Part No.	Bore size (mm)	Ring Set Part No.
	K9077D040	91,50	915XTY	K9440D040	91,50	915XTY
	K9077D090	92,00	920XTY	K9440D090	92,00	920XTY
	K9077D140	92,50	925XTY	K9440D140	92,50	925XTY
Stroke	76mm			76mm		
Wössner Comp. ratio	8,0:1			9,0:1		
OE Comp. ratio	8,0:1			8,0:1		
Dome Volume (cc)	-15,2cm ³			-6,3cm ³		
Comp. Height (mm)	32mm			32mm		
Valves per Cylinder	4			4		
Cylinder No.	6			6		
Piston weight in grams	368gr.			368gr.		
Clip Part No.	CW22			CW22		
Pin Part No.	WP046			WP046		
Rod length	140,9			140,9		
Price Code	G			G		
Top End Gasket Kit	see gasket list side 117-119			see gasket list side 117-119		
Wössner Connecting rods	-			-		

M

NISSAN®



Model	Silvia, Bluebird 200SX Turbo (S13)			Silvia, Bluebird 200SX Turbo (S13)		
Years	1987-93			1987-93		
Engine type	CA18DET			CA18DET		
Displ. (cc)	1809cm³			1809cm³		
	Piston Kit Part No.	Bore size (mm)	Ring Set Part No.	Piston Kit Part No.	Bore size (mm)	Ring Set Part No.
	K9197DA	83,00	830XTY	K9431DA	83,00	830XTY
	K9197D050	83,50	835XTY	K9431D050	83,50	835XTY
	K9197D100	84,00	840XTY	K9431D100	84,00	840XTY
Stroke	83,6mm			83,6mm		
Wössner Comp. ratio	8:1			9,0:1		
OE Comp. ratio	8,5:1			8,5:1		
Dome Volume (cc)	-4,4cm³			+3,8cm³		
Comp. Height (mm)	30mm			30mm		
Valves per Cylinder	4			4		
Cylinder No.	4			4		
Piston weight in grams	316gr.			316gr.		
Clip Part No.	CW20			CW20		
Pin Part No.	WP061			WP061		
Rod length	133			133		
Price Code	A			A		
Top End Gasket Kit	see gasket list side 117-1197			see gasket list side 117-119		
Wössner Connecting rods	PL026			PL026		

N

NISSAN®



Model	Primera / Sentra / 200SX SE-R, Silvia, 180SX & Bluebird			Primera / Sentra / 200SX SE-R, Silvia, 180SX & Bluebird Turbo			Primera / Sentra / 200SX SE-R, Silvia, 180SX & Bluebird Turbo			Primera / Sentra Turbo Stroker Kit		
Years	-			-			-			1991-94		
Engine type	SR20 DE			SR20 DET			SR20 DET			SR20 DET		
Displ. (cc)	1998cm ³			1998cm ³			1998cm ³			2113cm ³		
	Piston Kit Part No.	Bore size (mm)	Ring Set Part No.	Piston Kit Part No.	Bore size (mm)	Ring Set Part No.	Piston Kit Part No.	Bore size (mm)	Ring Set Part No.	Piston Kit Part No.	Bore size (mm)	Ring Set Part No.
	K9171DA	86,00	860XS	K9058DA	86,00	860XT	K9429DA	86,00	860XT	K9261DA	86,00	860XT
	K9171D050	86,50	865XS	K9058D050	86,50	865XT	K9429D050	86,50	865XT	K9261D050	86,50	865XT
	K9171D100	87,00	870XS	K9058D100	87,00	870XT	K9429D100	87,00	870XT	-	-	-
Stroke	86mm			86mm			86mm			91mm		
Wössner Comp. ratio	10,7:1			8,0:1			9,0:1			8,0:1		
OE Comp. ratio	8,5:1			8,5:1			8,5:1			8,5:1		
Dome Volume (cc)	-			-16,5cm ³			-7,6cm ³			-20,5cm ³		
Comp. Height (mm)	32mm			32mm			32mm			29,50mm		
Valves per Cylinder	4			4			4			4		
Cylinder No.	4			4			4			4		
Piston weight in grams	347gr.			340gr.			340gr.			297gr.		
Clip Part No.	CW22			CW22			CW22			CW22		
Pin Part No.	WP017			WP017			WP017			WP046		
Rod length	136,25			136,25			136,25			136,25		
Price Code	A			A			A			A		
Top End Gasket Kit	see gasket list side 117-119			see gasket list side 117-119			see gasket list side 117-119			see gasket list side 117-119		
Wössner Connecting rods	PL005			PL005			PL005			PL005		

N

NISSAN®



Model	R32-R34 Skyline			R32-R34 GTR Skyline (with Valve-pockets)			R32-R34 GTR Skyline Stroker (with Valve-pockets)		
Years	-			-			-		
Engine type	RB25DET			RB26DETT			RB26DETT		
Displ. (cc)	2526cm ³			2542cm ³			2667cm ³		
	Piston Kit Part No.	Bore size (mm)	Ring Set Part No.	Piston Kit Part No.	Bore size (mm)	Ring Set Part No.	Piston Kit Part No.	Bore size (mm)	Ring Set Part No.
	K9172DA	86,00	860XTY	K9059DA	86,00	860XTY	K9262D050	86,50	865XTY
	K9172D050	86,50	865XTY	K9059D050	86,50	865XTY	K9262D100	87,00	870XTY
	K9172D100	87,00	870XTY	K9059D100	87,00	870XTY	-	-	-
Stroke	71,7mm			73,7mm			77,7mm		
Wössner Comp. ratio	8,0:1			8,5:1			8,5:1		
OE Comp. ratio	8,5:1			8,5:1			8,5:1		
Dome Volume (cc)	+8,8cm ³			+16,56cm ³			+8,8cm ³		
Comp. Height (mm)	31,5mm			30mm			28,50mm		
Valves per Cylinder	4			4			4		
Cylinder No.	6			6			6		
Piston weight in grams	376gr.			358gr.			362gr.		
Clip Part No.	CW21			CW21			CW21		
Pin Part No.	WP092			WP092			WP092		
Rod length	121,5			121,5			121,5		
Price Code	G			G			G		
Top End Gasket Kit	see gasket list side 117-119			see gasket list side 117-119			see gasket list side 117-119		
Wössner Connecting rods	PL004			PL004			PL004		

NISSAN®



Model	Skyline RB30 (with Valve-pockets)			GT-R RB35			300ZX 3.0Ltr.			300ZX 3.0Ltr. Turbo		
Years	-			-			1990-96			1990-96		
Engine type	RB30DET			RB35			VG30DE			VG30DETT		
Displ. (cc)	2960cm ³			-			2993cm ³			2958cm ³		
	Piston Kit Part No.	Bore size (mm)	Ring Set Part No.	Piston Kit Part No.	Bore size (mm)	Ring Set Part No.	Piston Kit Part No.	Bore size (mm)	Ring Set Part No.	Piston Kit Part No.	Bore size (mm)	Ring Set Part No.
	K9173DA	86,00	860XTY	K9401DA	95,50	955XTY	K9060D050	87,50	875XSY	K9061DA	87,00	870XTY
	K9173D050	86,50	865XTY	K9401D050	96,00	960XTY	K9060D100	88,00	880XSY	K9061D050	87,50	875XTY
	K9173D100	87,00	870XTY	-	-	-	-	-	-	K9061D100	88,00	880XTY
	-	-	-	-	-	-	-	-	-	K9061D150	88,50	885XTY
	-	-	-	-	-	-	-	-	-	K9061D200	89,00	890XTY
Stroke	85mm			-			83mm			83mm		
Wössner Comp. ratio	7:1			9,5:1			11,0:1			8,0:1		
OE Comp. ratio	7:1			9:1			9,0:1			9,0:1		
Dome Volume (cc)	+5,5cm ³			-0,1cm ³			-			-9,6cm ³		
Comp. Height (mm)	31,1mm			34,3mm			32mm			32mm		
Valves per Cylinder	4			4			4			4		
Cylinder No.	6			6			6			6		
Piston weight in grams	354gr.			416gr.			-			362gr.		
Clip Part No.	CW21			CW23			CW22			CW22		
Pin Part No.	WP034			WP094			WP046			WP046		
Rod length	152,5			-			154			154		
Price Code	G			G			G			G		
Top End Gasket Kit	-			-			-			-		
Wössner Connecting rods	-			-			-			-		

N

NISSAN®



	240SX			240SX Turbo			240SX Turbo		
Model	240SX			240SX Turbo			240SX Turbo		
Years	1991-98			1991-98			1991-98		
Engine type	KA24DE			KA24DET			KA24DET		
Displ. (cc)	2387cm ³			2387cm ³			2387cm ³		
	Piston Kit Part No.	Bore size (mm)	Ring Set Part No.	Piston Kit Part No.	Bore size (mm)	Ring Set Part No.	Piston Kit Part No.	Bore size (mm)	Ring Set Part No.
	K9076DA	89,00	890XSY	K9174DA	89,00	890XTY	K9430DA	89,00	890XTY
	K9076D050	89,50	895XSY	K9174D050	89,50	895XTY	K9430D050	89,50	895XTY
	K9076D100	90,00	900XSY	K9174D100	90,00	900XTY	K9430D100	90,00	900XTY
	K9076D150	90,50	905XSY	K9174D150	90,50	905XTY	K9430D150	90,50	905XTY
Stroke	96mm			96mm			96mm		
Wössner Comp. ratio	11,5:1			8,5:1			9,0:1		
OE Comp. ratio	10,5:1			10,5:1			10,5:1		
Dome Volume (cc)	-			-22,3cm ³			-17,3cm ³		
Comp. Height (mm)	34mm			34mm			34mm		
Valves per Cylinder	4			4			4		
Cylinder No.	4			4			4		
Piston weight in grams	-			362gr.			362gr.		
Clip Part No.	CW21			CW21			CW21		
Pin Part No.	WP034			WP092			WP092		
Rod length	165			165			165		
Price Code	A			A			A		
Top End Gasket Kit	see gasket list side 117-119			see gasket list side 117-119			see gasket list side 117-119		
Wössner Connecting rods	-			-			-		

NISSAN®



Model	350Z Maxima, Altima, Infiniti			350Z Maxima, Altima, Infiniti Stroker Kit			350Z Turbo Maxima, Altima, Infiniti			350Z Turbo Maxima, Altima, Infiniti		
Years	-			-			-			-		
Engine type	VQ35DE			VQ35DET			VQ35DET			VQ35DET		
Displ. (cc)	3496cm ³			3794cm ³			3496cm ³			3496cm ³		
	Piston Kit Part No.	Bore size (mm)	Ring Set Part No.	Piston Kit Part No.	Bore size (mm)	Ring Set Part No.	Piston Kit Part No.	Bore size (mm)	Ring Set Part No.	Piston Kit Part No.	Bore size (mm)	Ring Set Part No.
	K9127DA	95,50	955XSY	K9247D050	96,00	960XTY	K9128DA	95,50	955XTY	K9406DA	95,50	955XTY
	K9127DD	95,53	955XSY	-	-	-	K9128D050	96,00	960XTY	K9406D050	96,00	960XTY
	K9127D050	96,00	960XSY	-	-	-	K9128D100	96,50	965XTY	K9406D100	96,50	965XTY
	K9127D100	96,50	965XSY	-	-	-	-	-	-	-	-	-
Stroke	81,4mm			87,4mm			81,4mm			81,4mm		
Wössner Comp. ratio	12,0:1			8,5:1			8,0:1			9,0:1		
OE Comp. ratio	10,3:1			10,3:1			10,3:1			10,3:1		
Dome Volume (cc)	+12,5cm ³			-			-18,2cm ³			-7,9cm ³		
Comp. Height (mm)	29,9mm			27mm			29,6mm			29,6mm		
Valves per Cylinder	4			4			4			4		
Cylinder No.	6			6			6			6		
Piston weight in grams	401gr.			-			376gr.			376gr.		
Clip Part No.	CW22			CW22			CW22			CW22		
Pin Part No.	WP017			WP046			WP046			WP046		
Rod length	144,2			144,2			144,2			144,2		
Price Code	G			G			G			G		
Top End Gasket Kit	see gasket list side 117-119			see gasket list side 117-119			see gasket list side 117-119			see gasket list side 117-119		
Wössner Connecting rods	PL006			PL006			PL006			PL006		

N

NISSAN®



Model	Pathfinder R-51 4.0Ltr. V6		
Years	-		
Engine type	VQ40DE		
Displ. (cc)	3951cm ³		
	Piston Kit Part No.	Bore size (mm)	Ring Set Part No.
	K9258DA	95,50	955XSY
	K9258D050	96,00	960XSY
Stroke	92mm		
Wössner Comp. ratio	12,3:1		
OE Comp. ratio	9,7:1		
Dome Volume (cc)	+12,5cm ³		
Comp. Height (mm)	31,20mm		
Valves per Cylinder	4		
Cylinder No.	6		
Piston weight in grams	418gr.		
Clip Part No.	CW22		
Pin Part No.	WP098		
Rod length	-		
Price Code	G		
Top End Gasket Kit	-		
Wössner Connecting rods	-		

N

OPEL®



Model	Astra, Corsa, Tigra, Vectra, Zafira 1.6Ltr. GSI 16V			Sprint Drag Racing Z16 LER			Calibra GSI 2.0Ltr. 16V Turbo (204 PS)			OPC 2.0Ltr. 16V Turbo		
Years	-			-			-			-		
Engine type	X16XEL / C16XE			Z16 LER			C20LET, Z20LET, Y20LET			Z20LET & LEH OPC		
Displ. (cc)	1598cm ³			1598cm ³			1998cm ³			1998cm ³		
	Piston Kit Part No.	Bore size (mm)	Ring Set Part No.	Piston Kit Part No.	Bore size (mm)	Ring Set Part No.	Piston Kit Part No.	Bore size (mm)	Ring Set Part No.	Piston Kit Part No.	Bore size (mm)	Ring Set Part No.
	K9141DA	79,00	790XDS	K9466DA	79,00	790XTZ	K9092DA	86,00	860XTY	K9410DA	86,00	860XTY
	K9141D050	79,50	795XDS	K9466D050	79,50	795XTZ	K9092D050	86,50	865XTY	K9410D050	86,50	865XTY
	K9141D100	80,00	800XDS	K9466D100	80,00	800XTZ	K9092D100	87,00	870XTY	K9410D100	87,00	870XTY
	-	-	-	-	-	-	K9092D150	87,50	875XTY	-	-	-
Stroke	81,5mm			81,5mm			86mm			86mm		
Wössner Comp. ratio	11,5:1			8,5:1			8,5:1			8,8:1		
OE Comp. ratio	10,5:1			-			8,8:1			8,8:1		
Dome Volume (cc)	+3,45cm ³			-3,5cm ³			-			-		
Comp. Height (mm)	28,2mm			28mm			30,5mm			30mm		
Valves per Cylinder	4			4			4			4		
Cylinder No.	4			4			4			4		
Piston weight in grams	268gr.			259gr.			328gr.			-		
Clip Part No.	CW18			CW19			CW21			CW21		
Pin Part No.	WP031			WP037			WP092			WP092		
Rod length	129,75			129,7			143			-		
Price Code	A			A			A			A		
Top End Gasket Kit	see gasket list side 117-119			-			-			-		
Wössner Connecting rods	-			-			PL009			-		

0

OPEL®


Model	Astra / Calibra / Kadett / Vectra GSI 2.0Ltr. 16V Gr.A			Astra / Calibra / Kadett / Vectra GSI 2.0Ltr. 16V Gr.A 3.Ring			2.0Ltr. 16V Flat Top (3.Ring)			2.0Ltr. 16V Kit Car (2.Ring)		
Years	-			-			-			-		
Engine type	C20XE			C20XE			C20XE			C20XE		
Displ. (cc)	1998cm ³			1998cm ³			1998cm ³			2092cm ³		
	Piston Kit Part No.	Bore size (mm)	Ring Set Part No.	Piston Kit Part No.	Bore size (mm)	Ring Set Part No.	Piston Kit Part No.	Bore size (mm)	Ring Set Part No.	Piston Kit Part No.	Bore size (mm)	Ring Set Part No.
	K9005DA	86,00	860XSY	K9259DA	86,00	860XSY	K9396D150	87,50	875XSY	K9391D200	88,00	880XDS
	K9005D050	86,50	865XSY	K9259D050	86,50	865XSY	-	-	-	-	-	-
	K9005D100	87,00	870XSY	K9259D100	87,00	870XSY	-	-	-	-	-	-
	K9005D150	87,50	875XSY	K9259D150	87,50	875XSY	-	-	-	-	-	-
	K9005D200	88,00	880XSY	K9259D200	88,00	880XSY	-	-	-	-	-	-
Stroke	86mm			86mm			86mm			86mm		
Wössner Comp. ratio	12,5:1			12,5:1			11,0:1			12,5:1		
OE Comp. ratio	10,5:1			10,5:1			10,5:1			10,5:1		
Dome Volume (cc)	+2,33cm ³			+2,33cm ³			-5,3 cm ³			+0,3cm ³		
Comp. Height (mm)	30,50mm			30,50mm			30,5mm			22mm		
Valves per Cylinder	4			4			4			4		
Cylinder No.	4			4			4			4		
Piston weight in grams	278gr.			298gr.			-			243gr.		
Clip Part No.	CW21			CW21			CW21			CW18		
Pin Part No.	WP051			WP051			WP051			WP053		
Rod length	143			143			143			148		
Price Code	A			A			A			A		
Top End Gasket Kit	-			-			-			-		
Wössner Connecting rods	PL009			PL009			PL009			-		

OPEL®



Model	Manta, Ascona CIH 2.0Ltr. 8V			Manta, Ascona CIH 2.0Ltr. 8V Longer Rod			Manta, Ascona, Frontera, Omega CIH 2.4Ltr. 8V			Senator, Carlton, Omega EV0500 3.0Ltr. GSI 24V		
Years	-			-			-			-		
Engine type	2.0 E			2.0 E			C2.4 NE			C30XEI		
Displ. (cc)	1998cm ³			1998cm ³			2459cm ³			2969cm ³		
	Piston Kit Part No.	Bore size (mm)	Ring Set Part No.	Piston Kit Part No.	Bore size (mm)	Ring Set Part No.	Piston Kit Part No.	Bore size (mm)	Ring Set Part No.	Piston Kit Part No.	Bore size (mm)	Ring Set Part No.
	K9140DA	95,00	950XSY	K9395DA	95,00	950XSY	K9006D100	96,00	960XSY	K9137DA	95,50	955XSY
	K9140D050	95,50	955XSY	K9395D050	95,50	955XSY	K9006D150	96,50	965XSY	K9137D050	96,00	960XSY
	K9140D100	96,00	960XSY	K9395D100	96,00	960XSY	K9006D200	97,00	970XSY	K9137D100	96,50	965XSY
	K9140D200	97,00	970XSY	K9395D200	97,00	970XSY	-	-	-	-	-	-
Stroke	69,8mm			69,8mm			85mm			69,8mm		
Wössner Comp. ratio	10,5:1			10,5:1			12,0:1			12,0:1		
OE Comp. ratio	8,5:1			8,5:1			9,2:1			10,5:1		
Dome Volume (cc)	+10,7cm ³			+10,7cm ³			+3,77cm ³			+4,7cm ³		
Comp. Height (mm)	45mm			39mm			31,5mm			29mm		
Valves per Cylinder	2			2			2			4		
Cylinder No.	4			4			4			6		
Piston weight in grams	506gr.			474gr.			424gr.			402gr.		
Clip Part No.	CW22			CW22			CW22			CW21		
Pin Part No.	WP046			WP046			WP017			WP092		
Rod length	128			134			134			-		
Price Code	A			A			A			G		
Top End Gasket Kit	see gasket list side 117-119			see gasket list side 117-119			-			-		
Wössner Connecting rods	-			-			PL011			-		

PEUGEOT®



Model	106			² 106 8V Rally			² 205 1.3Ltr. Rally		
Years	-			-			-		
Engine type	TU1SP			TU2J2			TU 2/4		
Displ. (cc)	1148cm³			1293cm³			1293cm³		
	Piston Kit Part No.	Bore size (mm)	Ring Set Part No.	Piston Kit Part No.	Bore size (mm)	Ring Set Part No.	Piston Kit Part No.	Bore size (mm)	Ring Set Part No.
	K9414D080	72,80	*730XDS	K9107DA	75,00	750XDS	K9114DA	75,00	750XDS
	-	-	-	K9107D050	75,50	755XDS	K9114D050	75,50	755XDS
	-	-	-	K9107D100	76,00	760XDS	K9114D100	76,00	760XDS
Stroke	69mm			73,2mm			73mm		
Wössner Comp. ratio	-			11,5:1			11,5:1		
OE Comp. ratio	10,7:1			10,2:1			9,6:1		
Dome Volume (cc)	-			+7,1cm³			+7,16cm³		
Comp. Height (mm)	26,6mm			37mm			38,8mm		
Valves per Cylinder	2			2			2		
Cylinder No.	4			4			4		
Piston weight in grams	-			240gr.			252gr.		
Clip Part No.	CW18			CW18			CW18		
Pin Part No.	WP049			WP031			WP031		
Rod length	-			133,6			112,3		
Price Code	A			A			A		
Top End Gasket Kit	-			-			-		
Wössner Connecting rods	-			-			-		

* Rings need to be shortened / Ringe müssen gekürzt werden.

² Combustion chamber need to be adapted at piston dome design.

PEUGEOT®



Model	² 106 XSI 8V			² 106 XSI 8V			² 106 1.6Ltr. XSI 8V		
Years	-			-			-		
Engine type	TU3J2			TU3J2			TU5J2		
Displ. (cc)	1360cm³			1360cm³			1587cm³		
	Piston Kit Part No.	Bore size (mm)	Ring Set Part No.	Piston Kit Part No.	Bore size (mm)	Ring Set Part No.	Piston Kit Part No.	Bore size (mm)	Ring Set Part No.
	K9108DA	75,00	750XDS	K9109DA	75,00	750XDS	K9110DA	78,50	785XDS
	K9108D050	75,50	755XDS	K9109D050	75,50	755XDS	K9110D020	78,70	787XDS
	K9108D100	76,00	760XDS	K9109D100	76,00	760XDS	K9110D050	79,00	790XDS
	-	-	-	-	-	-	K9110D150	80,00	800XDS
Stroke	77mm			77mm			82mm		
Wössner Comp. ratio	11,4:1			11,7:1			11,8:1		
OE Comp. ratio	9,6:1			9,6:1			10,2:1		
Dome Volume (cc)	+5,6cm³			+9,6cm³			+1,9cm³		
Comp. Height (mm)	41,5mm			35mm			32,5mm		
Valves per Cylinder	2			2			2		
Cylinder No.	4			4			4		
Piston weight in grams	278gr.			248gr.			270gr.		
Clip Part No.	CW18			CW20 (19.46)			CW18		
Pin Part No.	WP031			WP096			WP039		
Rod length	126,8			133,6			133,6		
Price Code	A			A			A		
Top End Gasket Kit	-			-			-		
Wössner Connecting rods	-			PL020			PL019		

² Combustion chamber need to be adapted at piston dome design.

PEUGEOT®



	106 S16 Kit Car			106 S16			106 S16 Turbo			106 S16		
Model	106 S16 Kit Car			106 S16			106 S16 Turbo			106 S16		
Years	-			-			-			-		
Engine type	TU5J4			TU5J4			TU5J4			TU5J4		
Displ. (cc)	1596cm ³			1588cm ³			1587cm ³			17745cm ³		
	Piston Kit Part No.	Bore size (mm)	Ring Set Part No.	Piston Kit Part No.	Bore size (mm)	Ring Set Part No.	Piston Kit Part No.	Bore size (mm)	Ring Set Part No.	Piston Kit Part No.	Bore size (mm)	Ring Set Part No.
	K9150D020	78,70	787XDS	K9039DA	78,50	785XDS	K9089DA	78,50	785XTZ	K9407D100	79,50	795XDS
	K9150D050	79,00	790XDS	K9039D020	78,70	787XDS	K9089D020	78,70	787XTZ	K9407D150	80,00	800XDS
	-	-	-	K9039D050	79,00	790XDS	K9089D050	79,00	790XTZ	-	-	-
	-	-	-	K9039D100	79,50	795XDS	K9089D100	79,50	795XTZ	-	-	-
	-	-	-	K9039D150	80,00	800XDS	K9089D150	80,00	800XTZ	-	-	-
Stroke	82mm			82mm			82mm			89mm		
Wössner Comp. ratio	12,7:1			12,0:1			9,0:1			-		
OE Comp. ratio	12,7:1			10,7:1			10,7:1			10,7:1		
Dome Volume (cc)	+6,7cm ³			+7,1cm ³			-			-		
Comp. Height (mm)	28,3mm			32,5mm			32,5mm			29mm		
Valves per Cylinder	4			4			4			4		
Cylinder No.	4			4			4			4		
Piston weight in grams	254gr.			260gr.			284gr.			-		
Clip Part No.	CW18			CW20 (19.46)			CW20 (19.46)			CW20 (19.46)		
Pin Part No.	WP031			WP096			WP035			WP096		
Rod length	137,75			133,6			133,6			133,6		
Price Code	A			A			A			A		
Top End Gasket Kit	see gasket list side 117-119			see gasket list side 117-119			see gasket list side 117-119			see gasket list side 117-119		
Wössner Connecting rods	PL030			PL020			PL020			PL020		

PEUGEOT®



	205 GTI 1.6Ltr. 8V			205 GTI 1.9Ltr. 8V			205 GTI 1.6Ltr. S16		
Model	205 GTI 1.6Ltr. 8V			205 GTI 1.9Ltr. 8V			205 GTI 1.6Ltr. S16		
Years	-			-			-		
Engine type	XU5JA			XU9JA			XU9JA		
Displ. (cc)	1580cm ³			1905cm ³			1905cm ³		
	Piston Kit Part No.	Bore size (mm)	Ring Set Part No.	Piston Kit Part No.	Bore size (mm)	Ring Set Part No.	Piston Kit Part No.	Bore size (mm)	Ring Set Part No.
	K9111DA	83,00	830XSY	K9112DA	83,00	830XSY	K9113DA	83,00	830XSY
	K9111D050	83,50	835XSY	K9112D050	83,50	835XSY	K9113D050	83,50	835XSY
	K9111D100	84,00	840XSY	K9112D100	84,00	840XSY	K9113D100	84,00	840XSY
	-	-	-	-	-	-	K9113D150	84,50	845XSY
Stroke	73mm			88mm			88mm		
Wössner Comp. ratio	12,0:1			12,5:1			11,5:1		
OE Comp. ratio	9,8:1			9,6:1			9,2:1		
Dome Volume (cc)	-			-0,5cm ³			-		
Comp. Height (mm)	38,25mm			37mm			32mm		
Valves per Cylinder	2			2			4		
Cylinder No.	4			4			4		
Piston weight in grams	334gr.			320gr.			319gr.		
Clip Part No.	CW20			CW20			CW20		
Pin Part No.	WP052			WP052			WP052		
Rod length	150,5			143			154,5		
Price Code	A			A			A		
Top End Gasket Kit	-			-			-		
Wössner Connecting rods	-			-			-		

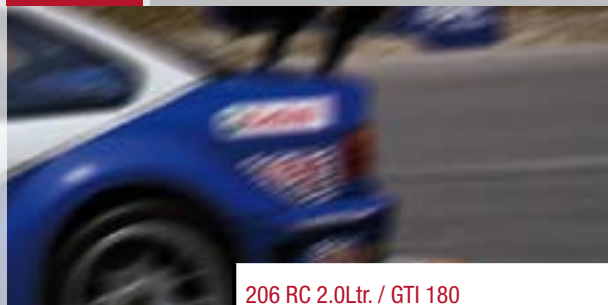
PEUGEOT®



Model	206 XS 1.6Ltr. S16			206 XS 1.6Ltr. S16 Kit Car			206 Super Car		
Years	-			-			-		
Engine type	TU5JP4			TU5JP4			TU5JP4		
Displ. (cc)	1587cm ³			1594cm ³			1595cm ³		
	Piston Kit Part No.	Bore size (mm)	Ring Set Part No.	Piston Kit Part No.	Bore size (mm)	Ring Set Part No.	Piston Kit Part No.	Bore size (mm)	Ring Set Part No.
	K9177DA	78,50	785XDS	K9233D020	78,70	787XDS	K9416D020	78,70	787XDS
	K9177D020	78,70	787XDS	K9233D050	79,00	790XDS	K9416D050	79,00	790XDS
	K9177D050	79,00	790XDS	-	-	-	-	-	-
	K9177D150	80,00	800XDS	-	-	-	-	-	-
Stroke	82mm			82mm			82mm		
Wössner Comp. ratio	12,2:1			12,7:1			13:1		
OE Comp. ratio	10,8:1			10,8:1			10,7:1		
Dome Volume (cc)	+8,72cm ³			+7,6cm ³			+10,8cm ³		
Comp. Height (mm)	32,1mm			28mm			26,75mm		
Valves per Cylinder	4			4			4		
Cylinder No.	4			4			4		
Piston weight in grams	260gr.			243gr.			245gr.		
Clip Part No.	CW18			CW18			CW18		
Pin Part No.	WP031			WP031			WP031		
Rod length	133,6			137,75			139		
Price Code	A			A			A		
Top End Gasket Kit	-			-			-		
Wössner Connecting rods	PL019			PL030			PL046		

P

PEUGEOT®



	206 RC 2.0Ltr. / GTI 180 (177PS)			206 RC 2.0Ltr. / GTI 180 Turbo (177PS)		
Model						
Years	-			-		
Engine type	EW10J4RS			EW10J4R		
Displ. (cc)	1997cm ³			1997cm ³		
	Piston Kit Part No.	Bore size (mm)	Ring Set Part No.	Piston Kit Part No.	Bore size (mm)	Ring Set Part No.
	K9190DA	85,00	850XSY	K9287DA	85,00	850XTY
	K9190D050	85,50	855XSY	K9287D050	85,50	855XTY
Stroke	88mm			88mm		
Wössner Comp. ratio	12,5:1			8,5:1		
OE Comp. ratio	11,0:1			11,0:1		
Dome Volume (cc)	+6,5cm ³			-15cm ³		
Comp. Height (mm)	29,5mm			29,5mm		
Valves per Cylinder	4			4		
Cylinder No.	4			4		
Piston weight in grams	336gr.			286gr.		
Clip Part No.	CW21			CW21		
Pin Part No.	WP034			WP034		
Rod length	139			139		
Price Code	A			A		
Top End Gasket Kit	-			-		
Wössner Connecting rods	PL033			PL033		

PEUGEOT®



	306 2.0Ltr. S16, 405 MI16 (155PS)			306-RS 2.0Ltr. S16, 306 GTI (167PS)			306 Kit Car EVO 5, 6, 7			306 2.0Ltr. S16 Turbo (167PS)		
Model												
Years	-			-			-			-		
Engine type	XU10J4			XU10J4RS			XU10J4RS-K			XU10J4RS		
Displ. (cc)	1998cm ³			1998cm ³			1998cm ³			1998cm ³		
	Piston Kit Part No.	Bore size (mm)	Ring Set Part No.	Piston Kit Part No.	Bore size (mm)	Ring Set Part No.	Piston Kit Part No.	Bore size (mm)	Ring Set Part No.	Piston Kit Part No.	Bore size (mm)	Ring Set Part No.
	K9041DA	86,00	860XSY	K9181DA	86,00	860XSY	K9182DA	86,00	860XSY	K9203DA	86,00	860XTY
	K9041D050	86,50	865XSY	K9181D050	86,50	865XSY	K9182D050	86,50	865XSY	K9203D050	86,50	865XTY
	K9041D100	87,00	870XSY	K9181D100	87,00	870XSY	-	-	-	K9203D100	87,00	870XTY
Stroke	86mm			86mm			86mm			86mm		
Wössner Comp. ratio	12,2:1			12,2:1			12,6:1			8,0:1		
OE Comp. ratio	10,4:1			10,8:1			-			10,8:1		
Dome Volume (cc)	+5,9cm ³			+2,8cm ³			+7,5cm ³			-		
Comp. Height (mm)	37mm			34mm			28,9mm			34mm		
Valves per Cylinder	4			4			4			4		
Cylinder No.	4			4			4			4		
Piston weight in grams	362gr.			317gr.			294gr.			345gr.		
Clip Part No.	CW22			CW20			CW18			CW22		
Pin Part No.	WP009			WP038			WP053			WP046		
Rod length	152			158			160			158		
Price Code	A			A			A			A		
Top End Gasket Kit	see gasket list side 117-119			see gasket list side 117-119			see gasket list side 117-119			see gasket list side 117-119		
Wössner Connecting rods	PL028			PL029			-			-		

PEUGEOT®



Model	309 GTI 1.9Ltr. / S16, 405 MI16 1.9Ltr.			309 GTI 1.9Ltr. / S16, 405 MI16 1.9Ltr. Turbo			405 T16		
Years	-			-			-		
Engine type	XU9J4			XU9J4			XU10J4 stroker		
Displ. (cc)	1903cm ³			1903cm ³			1997cm ³		
	Piston Kit Part No.	Bore size (mm)	Ring Set Part No.	Piston Kit Part No.	Bore size (mm)	Ring Set Part No.	Piston Kit Part No.	Bore size (mm)	Ring Set Part No.
	K9042DA	83,00	830XSY	K9229DA	83,00	830XTY	K9115DA	86,00	860XTY
	K9042D050	83,50	835XSY	K9229D050	83,50	835XTY	K9115D050	86,50	865XTY
	K9042D200	85,00	850XSY	K9229D200	85,00	850XTY	K9115D100	87,00	870XTY
Stroke	88mm			88mm			86mm		
Wössner Comp. ratio	11,8:1			8,5:1			8,0:1		
OE Comp. ratio	10,4:1			10,4:1			8,0:1		
Dome Volume (cc)	+1,7cm ³			-17,5cm ³			-		
Comp. Height (mm)	38mm			38mm			35,5mm		
Valves per Cylinder	4			4			4		
Cylinder No.	4			4			4		
Piston weight in grams	326gr.			320gr.			354gr.		
Clip Part No.	CW22			CW22			CW23		
Pin Part No.	WP009			WP046			WP024		
Rod length	143			143			152		
Price Code	A			A			A		
Top End Gasket Kit	see gasket list side 117-119			see gasket list side 117-119			see gasket list side 117-119		
Wössner Connecting rods	PL044			PL044			PL051		

P

PORSCHE®



Model	356 B, 912, 356 SC Super 90 (90PS)			911 "E, L" 2.0Ltr. (130-140PS)			911 S 2,0Ltr.		
Years	1960-69			1965-68			-		
Engine type	616.16,36			2000			-		
Displ. (cc)	1582cm ³			1991cm ³			1991cm ³		
	Piston Kit Part No.	Bore size (mm)	Ring Set Part No.	Piston Kit Part No.	Bore size (mm)	Ring Set Part No.	Piston Kit Part No.	Bore size (mm)	Ring Set Part No.
	K9015DA	82,50	825XSY	K9102DA	80,00	800XDS	K9412D050	80,50	805XDS
	K9015D050	83,00	830XSY	K9102D050	80,50	805XDS	K9412D100	81,00	810XDS
	K9015D100	83,50	835XSY	K9102D100	81,00	810XSY	-	-	-
Stroke	74mm			66mm			66mm		
Wössner Comp. ratio	9,5:1			9,0:1			10,5:1		
OE Comp. ratio	9,3:1			9,1:1			9,8:1		
Dome Volume (cc)	-			-			+34,5 cm ³		
Comp. Height (mm)	27mm			34mm			34mm		
Valves per Cylinder	2			2			2		
Cylinder No.	4			6			6		
Piston weight in grams	292gr.			325gr.			342gr.		
Clip Part No.	CW22			CW22			CW22		
Pin Part No.	WP017			WP017			WP017		
Rod length	136			130			130		
Price Code	A			G			G		
Top End Gasket Kit	-			-			-		
Wössner Connecting rods	-			PL037			PL037		
Cyl. / Sleeves	-			-			-		

PORSCHE®



Model	911 "T" 2.2Ltr. (125PS)			911 "S" 2.2Ltr. (180PS)			911 "T" 2.4Ltr. (130PS)		
Years	1969-71			1969-70			1971-74		
Engine type	911.03, 05-08			911.02			B6		
Displ. (cc)	2193cm³			2193cm³			2341cm³		
	Piston Kit Part No.	Bore size (mm)	Ring Set Part No.	Piston Kit Part No.	Bore size (mm)	Ring Set Part No.	Piston Kit Part No.	Bore size (mm)	Ring Set Part No.
	K9135DA	84,00	840XTY	K9103DA	84,00	840XSY	K9134DA	84,00	840XTY
	K9135D050	84,50	845XTY	K9103D050	84,50	845XSY	K9134D050	84,50	845XTY
	K9135D100	85,00	850XTY	K9103D100	85,00	850XSY	K9134D100	85,00	850XTY
Stroke	66mm			66mm			70,5mm		
Wössner Comp. ratio	8,5:1			10,5:1			-		
OE Comp. ratio	8,6:1			9,8:1			7,5:1		
Dome Volume (cc)	+19,1cm³			-			-		
Comp. Height (mm)	34mm			34mm			34mm		
Valves per Cylinder	2			2			2		
Cylinder No.	6			6			6		
Piston weight in grams	351gr.			354gr.			-		
Clip Part No.	CW22			CW22			CW22		
Pin Part No.	WP017			WP017			WP017		
Rod length	130			130			127,75		
Price Code	G			G			G		
Top End Gasket Kit	-			-			-		
Wössner Connecting rods	PL037			PL037			-		
Cyl. / Sleeves	-			-			-		

PORSCHE®



Model	911 SC 3.0Ltr. (204PS)			911 SC 3.0Ltr.			RS 2,7Ltr.			911 3.2Ltr.		
Years	1980-83			1978-82			1973			1983-90		
Engine type	930.10			930.10			-			930.20, 21, 26		
Displ. (cc)	2993cm ³			2993cm ³			2687cm ³			3164cm ³		
	Piston Kit Part No.	Bore size (mm)	Ring Set Part No.	Piston Kit Part No.	Bore size (mm)	Ring Set Part No.	Piston Kit Part No.	Bore size (mm)	Ring Set Part No.	Piston Kit Part No.	Bore size (mm)	Ring Set Part No.
	K9254DA	95,00	950XSY	K9456DA	95,00	950XSY	K9413DA	90,00	900XSY	K9255DA	95,00	950XSY
	K9254D300	98,00	980XSY	-	-	-	-	-	-	K9255D300	98,00	980XSY
Stroke	70,4mm			70,4mm			70,4mm			74,4mm		
Wössner Comp. ratio	10,5:1			11,6:1			11,6:1			10,5:1		
OE Comp. ratio	9,8:1			9,8:1			8,5:1			10,3:1		
Dome Volume (cc)	+42,2cm ³			+48,2cm ³			f			+36,5cm ³		
Comp. Height (mm)	34mm			34mm			32,5mm			32,80mm		
Valves per Cylinder	2			2			2			2		
Cylinder No.	6			6			6			6		
Piston weight in grams	456gr.			457gr.			-			432gr.		
Clip Part No.	C22x1,6			C22x1,6			CW22			C23x1,6		
Pin Part No.	WP017			WP046			WP017			WP024		
Rod length	127,75			127,75			127			127		
Price Code	G			G			G			G		
Top End Gasket Kit	-			-			-			-		
Wössner Connecting rods	PL047			PL047			PL050			PL049		
Cyl. / Sleeves	-			-			-			-		

PORSCHE®



	930 3.0Ltr. Turbo			930 3.3Ltr. Turbo		
Model	930 3.0Ltr. Turbo			930 3.3Ltr. Turbo		
Years	1974-77			1977-90		
Engine type	M30.66 / B6			M30.66 / B6		
Displ. (cc)	2994cm ³			3299cm ³		
	Piston Kit Part No.	Bore size (mm)	Ring Set Part No.	Piston Kit Part No.	Bore size (mm)	Ring Set Part No.
	K9289DA	95,00	950XTY	K9290DA	97,00	970XTY
Stroke	70,40mm			74,40mm		
Wössner Comp. ratio	6,5:1			7,0:1		
OE Comp. ratio	6,5:1			7,0:1		
Dome Volume (cc)	4,2cm ³			4,2cm ³		
Comp. Height (mm)	34mm			32,8mm		
Valves per Cylinder	2			2		
Cylinder No.	6			6		
Piston weight in grams	411gr.			415gr.		
Clip Part No.	C22x1,6			C23x1.6		
Pin Part No.	WP046			WP094		
Rod length	127			127		
Price Code	G			G		
Top End Gasket Kit	-			-		
Wössner Connecting rods	-			-		
Cyl. / Sleeves	-			-		

P

PORSCHE®



	964 3.6Ltr.			964 to 3.8Ltr.			965 Turbo to 3.8Ltr.		
Model	964 3.6Ltr.			964 to 3.8Ltr.			965 Turbo to 3.8Ltr.		
Years	1989-94			1989-94			1990-94		
Engine type	-			-			-		
Displ. (cc)	3598cm ³			3743cm ³			3743cm ³		
	Piston Kit Part No.	Bore size (mm)	Ring Set Part No.	Piston Kit Part No.	Bore size (mm)	Ring Set Part No.	Piston Kit Part No.	Bore size (mm)	Ring Set Part No.
	K9017DA	100,00	1000XSY	K9017D200	102,00	1020XSK	K9196D200	102,00	1020XSK
Stroke	76,4mm			76,4mm			76,4mm		
Wössner Comp. ratio	11,8:1			11,8:1			8,2:1		
OE Comp. ratio	11,3:1			11,3:1			7,5:1		
Dome Volume (cc)	+40,16cm ³			+40,16cm ³			+6,65cm ³		
Comp. Height (mm)	31,7mm			31,7mm			31,7mm		
Valves per Cylinder	2			2			2		
Cylinder No.	6			6			6		
Piston weight in grams	460gr.			440gr.			426gr.		
Clip Part No.	C23x1.6			C23x1.6			C23x1.6		
Pin Part No.	WP008			WP008			WP008		
Rod length	127			127			127		
Price Code	G			G			G		
Top End Gasket Kit	-			-			-		
Wössner Connecting rods	PL048			PL048			-		
Cyl. / Sleeves	-			ZP107-120			ZP107-120		

PORSCHE®



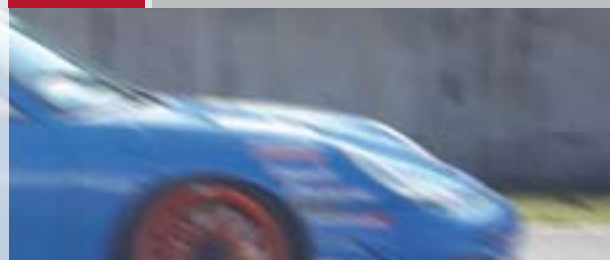
Model	993 3.6Ltr.			993 to 3.8Ltr.		
Years	1994-98			1994-98		
Engine type	-			-		
Displ. (cc)	3598cm ³			3743cm ³		
	Piston Kit Part No.	Bore size (mm)	Ring Set Part No.	Piston Kit Part No.	Bore size (mm)	Ring Set Part No.
	K9016DA	100,00	1000XSY	K9016D200	102,00	1020XSK
Stroke	76,4mm			76,4mm		
Wössner Comp. ratio	11,8:1			11,8:1		
OE Comp. ratio	11,3:1			11,3:1		
Dome Volume (cc)	+40,16cm ³			+40,16cm ³		
Comp. Height (mm)	31,7mm			31,7mm		
Valves per Cylinder	2			2		
Cylinder No.	6			6		
Piston weight in grams	461gr.			443gr.		
Clip Part No.	C23x1.6			C23x1.6		
Pin Part No.	WP008			WP008		
Rod length	127			127		
Price Code	G			G		
Top End Gasket Kit	-			-		
Wössner Connecting rods	PL031			PL031		
Cyl. / Sleeves	-			ZP107-120		

PORSCHE®



Model	993 TT / GT2 3.6Ltr.			993 Turbo to 3.8Ltr. (Turbo 1995-98 / GT2 1996-98)			996 TT / GT2 to 3.8Ltr.			996 TT / GT2 to 3.8Ltr.		
Years	1995-98			1995-98 / 1996-98			2001-05			2001-05		
Engine type	-			-			-			-		
Displ. (cc)	3743cm ³			3743cm ³			3743cm ³			3743cm ³		
	Piston Kit Part No.	Bore size (mm)	Ring Set Part No.	Piston Kit Part No.	Bore size (mm)	Ring Set Part No.	Piston Kit Part No.	Bore size (mm)	Ring Set Part No.	Piston Kit Part No.	Bore size (mm)	Ring Set Part No.
	K9018DA	100,00	1000XTY	K9018D200	102,00	1020XSK	K9256D200	102,00	1020XSK	K9260D200	102,00	1020XSK
Stroke	76,4mm			76,4mm			76,4mm			76,4mm		
Wössner Comp. ratio	8,0:1			8,0:1			8,5:1			9,4:1		
OE Comp. ratio	8,0:1			8,0:1			9,4:1			9,4:1		
Dome Volume (cc)	+12,12cm ³			+12,12cm ³			-28,4cm ³			-20cm ³		
Comp. Height (mm)	31,6mm			31,6mm			33,10mm			33,10mm		
Valves per Cylinder	4			4			4			4		
Cylinder No.	6			6			6			6		
Piston weight in grams	462gr.			453gr.			455gr.			453gr.		
Clip Part No.	C23x1.6			C23x1.6			C23x1.6			C23x1.6		
Pin Part No.	WP094			WP094			WP047			WP047		
Rod length	127			127			127			127		
Price Code	G			G			G			G		
Top End Gasket Kit	-			-			see gasket list side 117-119			see gasket list side 117-119		
Wössner Connecting rods	PL031			PL031			-			-		
Cyl. / Sleeves	-			ZP107-114.5 ZP109-114.5			PSK			PSK		

PORSCHE®



Model	997 GT2 to 3.8Ltr.			996 GT3 3.8Ltr. (360PS)			996 GT3 RS 3.8Ltr. (381PS)			997 GT3 RS 3.8Ltr. (415PS)		
Years	2007 up			1999-2001			2002-05			2006 up		
Engine type	-			-			-			-		
Displ. (cc)	3743cm ³			3743cm ³			3743cm ³			3743cm ³		
	Piston Kit Part No.	Bore size (mm)	Ring Set Part No.	Piston Kit Part No.	Bore size (mm)	Ring Set Part No.	Piston Kit Part No.	Bore size (mm)	Ring Set Part No.	Piston Kit Part No.	Bore size (mm)	Ring Set Part No.
	K9281D200	102,00	1020XSK	K9025DA	100,00	1000XSY	K9257D200	102,00	1020XSK	K9268D200	102,00	1020XSK
	-	-	-	K9025D200	102,00	1020XSK	-	-	-	-	-	-
Stroke	76,4mm			76,4mm			76,4mm			76,4mm		
Wössner Comp. ratio	8,5:1			12,7:1			12,7:1			12,7:1		
OE Comp. ratio	9,0:1			11,7:1			11,7:1			12,0:1		
Dome Volume (cc)	-28,4cm ³			+1,6cm ³			+0,41cm ³			-0,82cm ³		
Comp. Height (mm)	33,1mm			32,2mm			30,10mm			30,10mm		
Valves per Cylinder	4			4			4			4		
Cylinder No.	6			6			6			6		
Piston weight in grams	451gr.			414gr.			427gr.			418gr.		
Clip Part No.	C23x1,6			C22x1,6			C22x1,6			C22x1,6		
Pin Part No.	WP047			WP017			WP009			WP009		
Rod length	127			127			130,5			130,5		
Price Code	G			G			G			G		
Top End Gasket Kit	-			-			-			-		
Wössner Connecting rods	PL031			-			-			-		
Cyl. / Sleeves	PSK			PSK			PSK			PSK		

P

PORSCHE®



Cylinder

Part Number	Bore Ø	Fitting Ø	Height	Price Code
ZP107-114.5	102	107	114,5	Z1
ZP107-120	102	107	120	Z1
ZP109-114.5	102	109	114,5	Z1
ZP109-120	102	109	120	Z1

Cylinder Kit

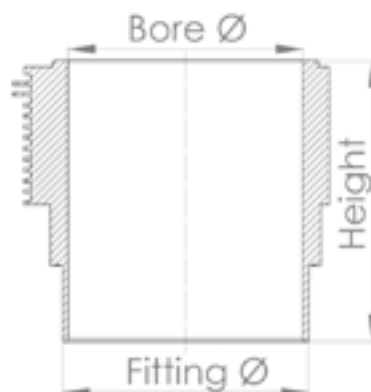
Part Number	Bore Ø	Fitting Ø	Height	Price Code
ZP107-114.5K	102	107	114,5	Z2
ZP107-120K	102	107	120	Z2
ZP109-114.5K	102	109	114,5	Z2
ZP109-120K	102	109	120	Z2

Sleeve

Part Number	Bore Ø	Fitting Ø	Height	Price Code
PS	100	107	120,5	Z3

Sleeve Kit

Part Number	Bore Ø	Fitting Ø	Height	Price Code
PSK	100	107	120,5	Z4



RENAULT®



Model	Alpine 1300 / R8 Gordini 1300			Alpine 1600 / R12 Gordini			Alpine 1600			Alpine 1600		
Years	-			-			-			-		
Engine type	812-00			807-12/-G / 803-32			807-12/-G / 803-32			807-12/-G / 803-32		
Displ. (cc)	1255cm ³			1565cm ³			1796cm ³			1796cm ³		
	Piston Kit Part No.	Bore size (mm)	Ring Set Part No.	Piston Kit Part No.	Bore size (mm)	Ring Set Part No.	Piston Kit Part No.	Bore size (mm)	Ring Set Part No.	Piston Kit Part No.	Bore size (mm)	Ring Set Part No.
	K9118DA	74,50	745XDS	K9185DA	77,00	770XDS	K9418D550	82,50	825XSY	K9419D550	82,50	825XSY
	K9118D050	75,00	750XDS	K9185D080	77,80	*780XTT	-	-	-	-	-	-
	K9118D120	75,70	*760XDS	K9185D100	78,00	780XDS	-	-	-	-	-	-
	-	-	-	K9185D200	79,00	790XDS	-	-	-	-	-	-
	-	-	-	K9185D300	80,00	800XDS	-	-	-	-	-	-
Stroke	72mm			84mm			84mm			84mm		
Wössner Comp. ratio	12,5:1			11,5:1			11,5:1			11,5:1		
OE Comp. ratio	9,8:1			10,25:1			10,2:1			10,2:1		
Dome Volume (cc)	-			+23,1cm ³			-			-		
Comp. Height (mm)	35mm			39mm			41mm			33,5mm		
Valves per Cylinder	2			2			4			4		
Cylinder No.	4			4			4			4		
Piston weight in grams	252gr.			314gr.			339gr.			303gr.		
Clip Part No.	CW20			CW21			CW21			CW21		
Pin Part No.	WP038			WP051			WP034			WP034		
Rod length	133			136,5			136,5			144		
Price Code	A			A			A			A		
Top End Gasket Kit	-			-			-			-		
Wössner Connecting rods	-			-			-			-		

* Rings need to be shortened / Ringe müssen gekürzt werden.

RENAULT®



Model	R5 Alpine			R5 -Turbo 1 / Turbo 2			R5 Alpine Turbo			R5 GT Turbo / Super 5 GT Turbo / R11 Turbo		
Years	-			-			-			-		
Engine type	840-25			8400			C6J726			C1J760 / C1J782		
Displ. (cc)	1397cm ³			1397cm ³			1397cm ³			1397cm ³		
	Piston Kit Part No.	Bore size (mm)	Ring Set Part No.	Piston Kit Part No.	Bore size (mm)	Ring Set Part No.	Piston Kit Part No.	Bore size (mm)	Ring Set Part No.	Piston Kit Part No.	Bore size (mm)	Ring Set Part No.
	K9117DA	76,00	760XDS	K9116DA	76,00	760XTZ	K9040DA	76,00	760XTZ	K9186DA	76,00	760XTZ
	K9117D060	76,60	*770XDS	K9116D100	77,00	770XTZ	K9040D060	76,60	766XTZ	K9186D060	76,60	766XTZ
	K9117D100	77,00	770XDS	K9116D200	78,00	780XTZ	K9040D100	77,00	770XTZ	K9186D100	77,00	770XTZ
	K9117D200	78,00	780XDS	-	-	-	K9040D200	78,00	780XTZ	K9186D200	78,00	780XTZ
	K9117D400	80,00	800XDS	-	-	-	K9040D400	80,00	800XTZ	-	-	-
Stroke	77mm			77mm			77mm			77mm		
Wössner Comp. ratio	11,0:1			7,0:1			7,5:1			8,0:1		
OE Comp. ratio	10,0:1			7,0:1			8,6:1			8,0:1		
Dome Volume (cc)	+6,6cm ³			+6cm ³			+10,1 cm ³			+1,8cm ³		
Comp. Height (mm)	37,8mm			35,6mm			37,5mm			37,5mm		
Valves per Cylinder	2			2			2			2		
Cylinder No.	4			4			4			4		
Piston weight in grams	286gr.			302gr.			308gr.			306gr.		
Clip Part No.	CW20			CW20			CW20			CW20		
Pin Part No.	WP052			WP052			WP061			WP052		
Rod length	128			128			128			128		
Price Code	A			A			A			A		
Top End Gasket Kit	-			-			-			-		
Wössner Connecting rods	PL022			PL022			PL022			PL022		

* Rings need to be shortened / Ringe müssen gekürzt werden.

RENAULT®



Model	Clio 1.6Ltr. 16S			Clio 1.8Ltr. 16S / R19 16S			Clio 1.8Ltr. 16S Turbo / R19 16S Turbo		
Years	-			-			-		
Engine type	K4M			F7P			F7P		
Displ. (cc)	1598cm ³			1764cm ³			1764cm ³		
	Piston Kit Part No.	Bore size (mm)	Ring Set Part No.	Piston Kit Part No.	Bore size (mm)	Ring Set Part No.	Piston Kit Part No.	Bore size (mm)	Ring Set Part No.
	K9211DA	79,50	795XDS	K9104DA	82,00	820XSY	K9200DA	82,00	820XTY
	K9211D050	80,00	800XDS	K9104D050	82,50	825XSY	K9200D050	82,50	825XTY
	K9211D100	80,50	805XDS	K9104D100	83,00	830XSY	K9200D100	83,00	830XTY
Stroke	80,50mm			83,5mm			83,5mm		
Wössner Comp. ratio	12,7:1			12,0,:1			8,0:1		
OE Comp. ratio	10:1			10,0:1			10,0:1		
Dome Volume (cc)	+7,1cm ³			-			-		
Comp. Height (mm)	31,7mm			35,5mm			35,5mm		
Valves per Cylinder	4			4			4		
Cylinder No.	4			4			4		
Piston weight in grams	276gr.			296gr.			302gr.		
Clip Part No.	CW18			CW21			CW21		
Pin Part No.	WP054			WP034			WP092		
Rod length	128			144			144		
Price Code	A			A			A		
Top End Gasket Kit	-			see gasket list side 117-119			see gasket list side 117-119		
Wössner Connecting rods	-			PL021			PL021		

RENAULT®

Model	Clio RS Turbo, 172, 182			Clio RS Maxi, 172, 182 (use with racing rods)			Clio RS			Clio RS16		
Years	2000-06			2000-06			2000-06			2000-06		
Engine type	F4R-730			F4R-730			F4R-730			F4R-730		
Displ. (cc)	1998cm ³			1998cm ³			1998cm ³			1998cm ³		
	Piston Kit Part No.	Bore size (mm)	Ring Set Part No.	Piston Kit Part No.	Bore size (mm)	Ring Set Part No.	Piston Kit Part No.	Bore size (mm)	Ring Set Part No.	Piston Kit Part No.	Bore size (mm)	Ring Set Part No.
	K9136DA	82,70	827XTY	K9230DA	82,70	827XSY	K9045DA	82,70	827XSY	K9417DA	82,70	827XSY
	K9136D030	83,00	830XTY	K9230D030	83,00	830XSY	K9045D030	83,00	830XSY	K9417D030	83,00	830XSY
	-	-	-	-	-	-	K9045D130	84,00	840XSY	K9417D130	84,00	840XSY
Stroke	93mm			93mm			93mm			93mm		
Wössner Comp. ratio	8,5:1			13,3:1			12,8:1			11,8:1		
OE Comp. ratio	11,0:1			11,0:1			11,0:1			11:1		
Dome Volume (cc)	-			+7,3cm ³			+5,3cm ³			+3,35cm ³		
Comp. Height (mm)	30,2mm			30,2mm			30,2mm			30,2mm		
Valves per Cylinder	4			4			4			4		
Cylinder No.	4			4			4			4		
Piston weight in grams	280gr.			294gr.			270gr.			283gr.		
Clip Part No.	CW21			CW21			CW21			CW21		
Pin Part No.	WP092			WP013			WP051			WP051		
Rod length	144			144			144			144		
Price Code	A			A			A			A		
Top End Gasket Kit	see gasket list side 117-119			see gasket list side 117-119			see gasket list side 117-119			see gasket list side 117-119		
Wössner Connecting rods	PL021			PL021			PL021			PL021		

R

RENAULT®



Model	Clio RS / R3 (use with racing rods)			R18 Turbo			Gordini 1300		
Years	2007-08			-			-		
Engine type	F4R-830			A5L-717			-		
Displ. (cc)	1998cm ³			-			-		
	Piston Kit Part No.	Bore size (mm)	Ring Set Part No.	Piston Kit Part No.	Bore size (mm)	Ring Set Part No.	Piston Kit Part No.	Bore size (mm)	Ring Set Part No.
	K9288DA	82,70	827XSY	K9421DA	77,00	770XTZ	K9420D120	75,70	*760XDS
	K9288D030	83,00	830XSY	-	-	-	-	-	-
	K9288D130	84,00	840XSY	-	-	-	-	-	-
Stroke	93mm			-			-		
Wössner Comp. ratio	12,7:1			-			-		
OE Comp. ratio	11,0:1			-			-		
Dome Volume (cc)	+7,45cm ³			-			-		
Comp. Height (mm)	30,2mm			41mm			35mm		
Valves per Cylinder	4			4			2		
Cylinder No.	4			4			4		
Piston weight in grams	282gr.			-			-		
Clip Part No.	CW21			CW21			CW20		
Pin Part No.	WP013			WP034			WP038		
Rod length	144			-			-		
Price Code	A			A			A		
Top End Gasket Kit	see gasket list side 117-119			-			-		
Wössner Connecting rods	PL021			-			-		

* Rings need to be shortened / Ringe müssen gekürzt werden.

RENAULT®



Model	R21 2.0Ltr. Turbo			R21 2.0Ltr. Turbo Europa Cup		
Years	-			-		
Engine type	J7R752			J7R752		
Displ. (cc)	1998cm ³			1998cm ³		
	Piston Kit Part No.	Bore size (mm)	Ring Set Part No.	Piston Kit Part No.	Bore size (mm)	Ring Set Part No.
	K9090DA	88,00	880XTY	K9189DA	88,00	880XTY
	K9090D050	88,50	885XTY	-	-	-
Stroke	82mm			82mm		
Wössner Comp. ratio	8,0:1			8,0:1		
OE Comp. ratio	8,0:1			8,0:1		
Dome Volume (cc)	-			-3,1 cm ³		
Comp. Height (mm)	40,5mm			38,7mm		
Valves per Cylinder	4			4		
Cylinder No.	4			4		
Piston weight in grams	441gr.			403gr.		
Clip Part No.	CW24			CW24		
Pin Part No.	WP022			WP022		
Rod length	137			137		
Price Code	A			A		
Top End Gasket Kit	-			-		
Wössner Connecting rods	-			-		

RENAULT®



Model	Clio 2.0Ltr. S16 Williams / Megane 2.0Ltr. S16			Clio 2.0Ltr. S16 Williams Gr. A / Megane 2.0Ltr. S16 Gr. A			Clio 2.0Ltr. S16 Williams Turbo / Megane 2.0Ltr. S16 Turbo			Clio / Megane Maxi		
Years	-			-			-			-		
Engine type	F7R			F7R			F7R			F7RR		
Displ. (cc)	1998cm ³			1998cm ³			1998cm ³			1998cm ³		
	Piston Kit Part No.	Bore size (mm)	Ring Set Part No.	Piston Kit Part No.	Bore size (mm)	Ring Set Part No.	Piston Kit Part No.	Bore size (mm)	Ring Set Part No.	Piston Kit Part No.	Bore size (mm)	Ring Set Part No.
	K9034DA	82,70	827XSY	K9037DA	82,70	827XSY	K9133DA	82,70	827XTY	K9187DA	84,00	840XSY
	K9034D030	83,00	830XSY	K9037D030	83,00	830XSY	K9133D030	83,00	830XTY	K9187D050	84,50	845XSY
	K9034D080	83,50	835XSY	K9037D130	84,00	840XSY	K9133D130	84,00	840XTY	-	-	-
	K9034D130	84,00	840XSY	-	-	-	-	-	-	-	-	-
Stroke	93mm			93mm			93mm			90mm		
Wössner Comp. ratio	11,2:1			12,5:1			8,5:1			12,7:1		
OE Comp. ratio	10,0:1			10,0:1			10,0:1			-		
Dome Volume (cc)	+4,35cm ³			+9cm ³			-13,4cm ³			+12,6cm ³		
Comp. Height (mm)	30,7mm			30,7mm			30,7mm			24,9mm		
Valves per Cylinder	4			4			4			4		
Cylinder No.	4			4			4			4		
Piston weight in grams	294gr.			293gr.			288gr.			276gr.		
Clip Part No.	CW21			CW21			CW21			CW18		
Pin Part No.	WP034			WP034			WP092			WP054		
Rod length	144			144			144			150		
Price Code	A			A			A			A		
Top End Gasket Kit	see gasket list side 117-119			see gasket list side 117-119			see gasket list side 117-119			-		
Wössner Connecting rods	PL021			PL021			PL021			-		

ROVER®



Model	Metro, 100, 200, 25, 400, 45, Streetwise 1.4Ltr. 16V			200, 25, 45, Streetwise, 75 1.8Ltr. 16V			220, 420, 620, 820 2.0Ltr. 16V Turbo		
Years	-			-			-		
Engine type	14K4F			18K4F			T16		
Displ. (cc)	1395cm ³			1796cm ³			1994cm ³		
	Piston Kit Part No.	Bore size (mm)	Ring Set Part No.	Piston Kit Part No.	Bore size (mm)	Ring Set Part No.	Piston Kit Part No.	Bore size (mm)	Ring Set Part No.
	K9221DA	75,00	750XDS	K9222DA	80,00	800XDS	K9231DA	84,50	845XTY
	K9221D050	75,50	755XDS	K9222D050	80,50	805XDS	K9231D050	85,00	850XTY
	K9221D100	76,00	760XDS	K9222D100	81,00	810XSY	K9231D100	85,50	855XTY
	-	-	-	-	-	-	K9231D150	86,00	860XTY
Stroke	79mm			89,3mm			89mm		
Wössner Comp. ratio	12,5:1			12,0:1			8,0:1		
OE Comp. ratio	10,3:1			10,5:1			8,5:1		
Dome Volume (cc)	+10,7 cm ³			-			-		
Comp. Height (mm)	22,5mm			24,46mm			31,3mm		
Valves per Cylinder	4			4			4		
Cylinder No.	4			4			4		
Piston weight in grams	218gr.			253gr.			326gr.		
Clip Part No.	CW18			CW18			CW21		
Pin Part No.	WP031			WP099			WP092		
Rod length	139,4			133,1			160		
Price Code	A			A			A		
Top End Gasket Kit	-			see gasket list side 117-119			-		
Wössner Connecting rods	-			-			-		

SAAB®



	900, 9 2.0Ltr.16V Turbo			9-5 2.3Ltr. 16V Turbo			9000 2.3Ltr.16V Turbo		
Model									
Years	2000-03			-			-		
Engine type	B205E, F			B235E			B234E, L, R		
Displ. (cc)	1985cm ³			2290cm ³			2290cm ³		
	Piston Kit Part No.	Bore size (mm)	Ring Set Part No.	Piston Kit Part No.	Bore size (mm)	Ring Set Part No.	Piston Kit Part No.	Bore size (mm)	Ring Set Part No.
	K9120DA	90,00	900XTY	K9119DA	90,00	900XTY	K9214DA	90,00	900XTY
	K9120D050	90,50	905XTY	K9119D050	90,50	905XTY	K9214D050	90,50	905XTY
	K9120D100	91,00	910XTY	K9119D100	91,00	910XTY	K9214D100	91,00	910XTY
	-	-	-	-	-	-	K9214D300	93,00	930XTY
Stroke	78mm			90mm			90mm		
Wössner Comp. ratio	9,25:1			9,25:1			8,5:1		
OE Comp. ratio	9,25:1			9,25:1			9,25:1		
Dome Volume (cc)	-			-			-24,85 cm ³		
Comp. Height (mm)	32,2mm			32,9mm			40,3mm		
Valves per Cylinder	4			4			4		
Cylinder No.	4			4			4		
Piston weight in grams	380gr.			370gr.			426gr.		
Clip Part No.	CW24			CW24			CW24		
Pin Part No.	WP022			WP022			WP022		
Rod length	159			153			147		
Price Code	A			A			A		
Top End Gasket Kit	-			-			-		
Wössner Connecting rods	-			-			-		

S

SEAT®



Model	Cordoba, Ibiza 2.0Ltr. 8V (115 PS)			Cordoba, Ibiza 2.0Ltr. 16V (150PS)			Cordoba, Ibiza 2.0Ltr. 16V Turbo (150PS)		
Years	-			-			-		
Engine type	2E			ABF			ABF		
Displ. (cc)	1983cm ³			1983cm ³			1983cm ³		
	Piston Kit Part No.	Bore size (mm)	Ring Set Part No.	Piston Kit Part No.	Bore size (mm)	Ring Set Part No.	Piston Kit Part No.	Bore size (mm)	Ring Set Part No.
	K9054DA	82,50	825XSY	K9032DA	82,50	825XSY	K9204DA	82,50	825XTY
	K9054D020	82,70	827XSY	K9032D020	82,70	827XSY	K9204D050	83,00	830XTY
	K9054D050	83,00	830XSY	K9032D050	83,00	830XSY	K9204D100	83,50	835XTY
	K9054D100	83,50	835XSY	K9032D100	83,50	835XSY	-	-	-
	K9054D150	84,00	840XSY	K9032D150	84,00	840XSY	-	-	-
Stroke	92,8mm			92,8mm			92,8mm		
Wössner Comp. ratio	12,3:1			12,4:1			9,0:1		
OE Comp. ratio	10,5:1			10,5:1			10,4:1		
Dome Volume (cc)	-6,6cm ³			+12,6cm ³			-10,6cm ³		
Comp. Height (mm)	30,9mm			31,6mm			31,6mm		
Valves per Cylinder	2			4			4		
Cylinder No.	4			4			4		
Piston weight in grams	290gr.			310gr.			297gr.		
Clip Part No.	CW21			CW21			CW21		
Pin Part No.	WP034			WP034			WP092		
Rod length	159			159			159		
Price Code	A			A			A		
Top End Gasket Kit	-			see gasket list side 117-119			see gasket list side 117-119		
Wössner Connecting rods	-			PL016			PL016		

S

SEAT[®]



Model	Leon, Alhambra 2.8Ltr. V6 24V Turbo			Leon, Toledo 1.8Ltr. 20V Turbo (180PS)			Leon 2.0Ltr. 16V T FSI Turbo		
Years	-			-			-		
Engine type	AUE, AYL			APP, ARY, AUQ			M1		
Displ. (cc)	2792cm ³			1781cm ³			1984cm ³		
	Piston Kit Part No.	Bore size (mm)	Ring Set Part No.	Piston Kit Part No.	Bore size (mm)	Ring Set Part No.	Piston Kit Part No.	Bore size (mm)	Ring Set Part No.
	K9097DA-6	81,00	810XTY	K9145DA	81,00	810XTY	K9213DA	82,50	825XTY
	K9097D050-6	81,50	815XTY	K9145D050	81,50	815XTY	K9213D050	83,00	830XTY
	K9097D100-6	82,00	820XTY	K9145D100	82,00	820XTY	K9213D100	83,50	835XTY
	K9097D150-6	82,50	825XTY	K9145D150	82,50	825XTY	-	-	-
	K9097D200-6	83,00	830XTY	-	-	-	-	-	-
Stroke	90,3mm			86,4mm			92,8mm		
Wössner Comp. ratio	8,5:1			8,5:1			9,2:1		
OE Comp. ratio	10,75:1			9,5:1			10,5:1		
Dome Volume (cc)	+2,45cm ³			-6,3cm ³			-5,38cm ³		
Comp. Height (mm)	35,10mm			32,7mm			29,5mm		
Valves per Cylinder	4			5			4		
Cylinder No.	6			4			4		
Piston weight in grams	336gr.			301gr.			334gr.		
Clip Part No.	CW20			CW19			CW20		
Pin Part No.	WP061			WP026			WP061		
Rod length	164			144			144		
Price Code	G			A			A		
Top End Gasket Kit	-			-			see gasket list side 117-119		
Wössner Connecting rods	-			-			PL018		

S

SUBARU®



Model	Impreza (22B), Legacy Turbo			Impreza RS, Forester, Legacy			Impreza RS, Forester, Legacy		
Years	1991-94			1997-2004			1997-2004		
Engine type	EJ22			EJ25 SOHC			EJ25 DOHC		
Displ. (cc)	2217cm ³			2455cm ³			2455cm ³		
	Piston Kit Part No.	Bore size (mm)	Ring Set Part No.	Piston Kit Part No.	Bore size (mm)	Ring Set Part No.	Piston Kit Part No.	Bore size (mm)	Ring Set Part No.
	K9132DA	97,00	970XTY	K9051DA	99,50	995XTY	K9052DA	99,50	995XTY
	K9132D050	97,50	975XTY	K9051D050	100,00	1000XTY	K9052D050	100,00	1000XTY
	K9132D100	98,00	980XTY	K9051D100	100,50	1005XTY	K9052D100	100,50	1005XTY
Stroke	75mm			79mm			79mm		
Wössner Comp. ratio	8,0:1			8,0:1			8,0:1		
OE Comp. ratio	8,0:1			10,0:1			10,0:1		
Dome Volume (cc)	-			-28,65cm ³			-25,3cm ³		
Comp. Height (mm)	33,25mm			29,5mm			30,25mm		
Valves per Cylinder	4			4			4		
Cylinder No.	4			4			4		
Piston weight in grams	410gr.			384gr.			395gr.		
Clip Part No.	CA23x1.6			CA23x1.6			CA23x1.6		
Pin Part No.	WP094			WP024			WP024		
Rod length	130,5			131,6			131,6		
Price Code	A			A			A		
Top End Gasket Kit	see gasket list side 117-119			see gasket list side 117-119			see gasket list side 117-119		
Wössner Connecting rods	PL024			-			-		

S

SUBARU®



Model	Impreza WRX Version 1, 2, 3, 4			Impreza WRX Version 1, 2, 3, 4			Impreza WRX Version 1, 2, 3, 4 Stroker Kit		
Years	1992-98			1992-98			1992-98		
Engine type	EJ20			EJ20			EJ20		
Displ. (cc)	1993cm ³			1993cm ³			2124cm ³		
	Piston Kit Part No.	Bore size (mm)	Ring Set Part No.	Piston Kit Part No.	Bore size (mm)	Ring Set Part No.	Piston Kit Part No.	Bore size (mm)	Ring Set Part No.
	K9129DA	92,00	920XTY	K9432DA	92,00	920XTY	K9248D050	92,50	925XTY
	K9129D050	92,50	925XTY	K9432D050	92,50	925XTY	-	-	-
	K9129D100	93,00	930XTY	K9432D100	93,00	930XTY	-	-	-
Stroke	75mm			75mm			79mm		
Wössner Comp. ratio	8,0:1			9,0:1			8,0:1		
OE Comp. ratio	8,3:1			8,3:1			8,3:1		
Dome Volume (cc)	-16,8cm ³			-8cm ³			-27,3cm ³		
Comp. Height (mm)	33,4mm			33,4mm			31,4mm		
Valves per Cylinder	4			4			4		
Cylinder No.	4			4			4		
Piston weight in grams	338gr.			338gr.			-		
Clip Part No.	CA23x1.6			CA23x1.6			CA23x1.6		
Pin Part No.	WP094			WP094			WP094		
Rod length	130,5			130,5			130,5		
Price Code	A			A			A		
Top End Gasket Kit	see gasket list side 117-119			see gasket list side 117-119			see gasket list side 117-119		
Wössner Connecting rods	PL024			PL024			PL024		

S

SUBARU®



Model	Impreza WRX Version 5, 6			Impreza WRX Version 5, 6			Impreza WRX Version 5, 6 Stroker Kit		
Years	1998-2000			1998-2000			1998-2000		
Engine type	EJ20, EJ205			EJ20, EJ205			EJ20, EJ205		
Displ. (cc)	1993cm ³			1993cm ³			2124cm ³		
	Piston Kit Part No.	Bore size (mm)	Ring Set Part No.	Piston Kit Part No.	Bore size (mm)	Ring Set Part No.	Piston Kit Part No.	Bore size (mm)	Ring Set Part No.
	K9130DA	92,00	920XTY	K9403DA	92,00	920XTY	K9249D050	92,50	925XTY
	K9130D050	92,50	925XTY	K9403D050	92,50	925XTY	-	-	-
	K9130D100	93,00	930XTY	K9403D100	93,00	930XTY	-	-	-
Stroke	75mm			75mm			79mm		
Wössner Comp. ratio	8:1			9:1			8,0:1		
OE Comp. ratio	8,35:1			8,35:1			8,35:1		
Dome Volume (cc)	-8,7cm ³			+0,3cm ³			-		
Comp. Height (mm)	32,7mm			32,7mm			30,7mm		
Valves per Cylinder	4			4			4		
Cylinder No.	4			4			4		
Piston weight in grams	354gr.			354gr.			-		
Clip Part No.	CA23x1.6			CA23x1.6			CA23x1.6		
Pin Part No.	WP094			WP094			WP094		
Rod length	130,5			130,5			130,5		
Price Code	A			A			A		
Top End Gasket Kit	see gasket list side 117-119			see gasket list side 117-119			see gasket list side 117-119		
Wössner Connecting rods	PL024			PL024			PL024		

S

SUBARU®



Model	Impreza WRX STI Version 7-8			Impreza WRX STI Version 7, 8 Stroker Kit			Impreza WRX STI Version 9			Impreza WRX STI Version 9		
Years	'00-03			'00-03			2003 up			2003 up		
Engine type	EJ205			EJ205			EJ205			EJ205		
Displ. (cc)	1993cm ³			2124cm ³			1993cm ³			1993cm ³		
	Piston Kit Part No.	Bore size (mm)	Ring Set Part No.	Piston Kit Part No.	Bore size (mm)	Ring Set Part No.	Piston Kit Part No.	Bore size (mm)	Ring Set Part No.	Piston Kit Part No.	Bore size (mm)	Ring Set Part No.
	K9050DA	92,00	920XTY	K9250D050	92,50	925XTY	K9223DA	92,00	920XTY	K9457DA	92,00	920XTY
	K9050D050	92,50	925XTY	-	-	-	K9223D050	92,50	925XTY	K9457D050	92,50	925XTY
	K9050D100	93,00	930XTY	-	-	-	K9223D100	93,00	930XTY	K9457D100	93,00	930XTY
Stroke	75mm			79mm			75mm			75mm		
Wössner Comp. ratio	9,0:1			8,0:1			8,0:1			9,0:1		
OE Comp. ratio	8,0:1			8,0:1			8,0:1			8,0:1		
Dome Volume (cc)	-0,2cm ³			-13,7cm ³			-6,4cm ³			+2,5cm ³		
Comp. Height (mm)	31,4mm			29,4mm			31,5mm			31,5mm		
Valves per Cylinder	4			4			4			4		
Cylinder No.	4			4			4			4		
Piston weight in grams	354gr.			-			360gr.			360gr.		
Clip Part No.	CA23x1.6			CA23x1.6			CA23x1.6			CA23x1.6		
Pin Part No.	WP094			WP094			WP094			WP094		
Rod length	130,5			130,5			130,5			130,5		
Price Code	A			A			A			A		
Top End Gasket Kit	-			-			-			-		
Wössner Connecting rods	PL024			PL024			PL024			PL024		

SUBARU®



Model	Impreza WRX STI			Impreza WRX STI			U.S. Impreza WRX STI Stroker Kit		
Years	2004-08			2004-08			2004-06		
Engine type	EJ257			EJ257			EJ257		
Displ. (cc)	2455cm ³			2455cm ³			2482cm ³		
	Piston Kit Part No.	Bore size (mm)	Ring Set Part No.	Piston Kit Part No.	Bore size (mm)	Ring Set Part No.	Piston Kit Part No.	Bore size (mm)	Ring Set Part No.
	K9467DA	99,50	995XTY	K9131DA	99,50	995XTY	K9263D050	100,00	1000XTY
	K9467D050	100,00	1000XTY	K9131D050	100,00	1000XTY	-	-	-
	K9467D100	100,50	1005XTY	K9131D100	100,50	1005XTY	-	-	-
Stroke	79mm			79mm			79mm		
Wössner Comp. ratio	8:1			9,0:1			8,0:1		
OE Comp. ratio	8,2:1			8,2:1			8,2:1		
Dome Volume (cc)	-25,3cm ³			-14,3cm ³			-		
Comp. Height (mm)	30,7mm			30,7mm			31mm		
Valves per Cylinder	4			4			4		
Cylinder No.	4			4			4		
Piston weight in grams	413gr.			403gr.			-		
Clip Part No.	CA23x1.6			CA23x1.6			CA23x1.6		
Pin Part No.	WP024			WP024			WP024		
Rod length	130,5			130,5			130,5		
Price Code	A			A			A		
Top End Gasket Kit	see gasket list side 117-119			see gasket list side 117-119			see gasket list side 117-119		
Wössner Connecting rods	-			-			-		

TOYOTA®



	Celica, MR2 1.6Ltr. 16V			Celica, MR2 1.6Ltr. 16V			Celica, MR2 1.6Ltr. 16V		
Model	Celica, MR2 1.6Ltr. 16V			Celica, MR2 1.6Ltr. 16V			Celica, MR2 1.6Ltr. 16V		
Years	1988-92			1988-92			1988-92		
Engine type	4AGE			4AGE			4AGE		
Displ. (cc)	1586cm³			1586cm³			1586cm³		
	Piston Kit Part No.	Bore size (mm)	Ring Set Part No.	Piston Kit Part No.	Bore size (mm)	Ring Set Part No.	Piston Kit Part No.	Bore size (mm)	Ring Set Part No.
	K9035DA	81,00	810XSY	K9278DA	81,00	810XSY	K9191DA	81,00	810XSY
	K9035D050	81,50	815XSY	K9278D050	81,50	815XSY	K9191D050	81,50	815XSY
	K9035D100	82,00	820XSY	K9278D100	82,00	820XSY	K9191D100	82,00	820XSY
Stroke	77mm			77mm			77mm		
Wössner Comp. ratio	11,8:1			11,8:1			11,8:1		
OE Comp. ratio	10,0:1			10,0:1			10,0:1		
Dome Volume (cc)	-			-			-		
Comp. Height (mm)	30,7mm			30,7mm			30,6mm		
Valves per Cylinder	4			4			4		
Cylinder No.	4			4			4		
Piston weight in grams	274gr.			-			280gr.		
Clip Part No.	CW20			CW19			CW18		
Pin Part No.	WP029			WP028			WP054		
Rod length	122			122			122		
Price Code	A			A			A		
Top End Gasket Kit	see gasket list side 117-119			see gasket list side 117-119			see gasket list side 117-119		
Wössner Connecting rods	-			-			-		

TOYOTA®



Model	Corolla 1.8Ltr.			Corolla 1.8Ltr. Turbo		
Years	1982-86			1982-86		
Engine type	3TC			3TC		
Displ. (cc)	1812cm³			1811cm³		
	Piston Kit Part No.	Bore size (mm)	Ring Set Part No.	Piston Kit Part No.	Bore size (mm)	Ring Set Part No.
	K9193DA	86,00	860XS	K9192DA	86,00	860XT
	K9193D100	87,00	870XS	K9192D100	87,00	870XT
	K9193D200	88,00	880XS	K9192D200	88,00	880XT
Stroke	78mm			78mm		
Wössner Comp. ratio	10,9:1			7,7:1		
OE Comp. ratio	10,2:1			7,4:1		
Dome Volume (cc)	-			-		
Comp. Height (mm)	35mm			35mm		
Valves per Cylinder	2			2		
Cylinder No.	4			4		
Piston weight in grams	-			-		
Clip Part No.	CW22			CW22		
Pin Part No.	WP046			WP046		
Rod length	122,8			122,8		
Price Code	A			A		
Top End Gasket Kit	see gasket list side 117-119			see gasket list side 117-119		
Wössner Connecting rods	-			-		

TOYOTA®



	Celica, MR2 2.0Ltr. 16V			Celica, MR2 2.0Ltr. 16V Turbo			Celica, MR2 2.0Ltr. 16V Turbo			Celica, MR2 2.0Ltr. 16V Turbo		
Model	Celica, MR2 2.0Ltr. 16V			Celica, MR2 2.0Ltr. 16V Turbo			Celica, MR2 2.0Ltr. 16V Turbo			Celica, MR2 2.0Ltr. 16V Turbo		
Years	1989-95			-			-			1986-95		
Engine type	3SGE			3SG			3SG			3SGTE		
Displ. (cc)	1997cm ³			1997cm ³			1997cm ³			1997cm ³		
	Piston Kit Part No.	Bore size (mm)	Ring Set Part No.	Piston Kit Part No.	Bore size (mm)	Ring Set Part No.	Piston Kit Part No.	Bore size (mm)	Ring Set Part No.	Piston Kit Part No.	Bore size (mm)	Ring Set Part No.
	K9179DA	86,00	860XS	K9036DA	86,00	860XT	K9433DA	86,00	860XT	K9055DA	86,00	860XT
	K9179D050	86,50	865XS	K9036D050	86,50	865XT	K9433D050	86,50	865XT	K9055D025	86,25	862XT
	K9179D100	87,00	870XS	K9036D100	87,00	870XT	K9433D100	87,00	870XT	K9055D050	86,50	865XT
	-	-	-	-	-	-	-	-	-	K9055D100	87,00	870XT
Stroke	86mm			86mm			86mm			86mm		
Wössner Comp. ratio	12,4:1			8,0:1			9,0:1			8,0:1		
OE Comp. ratio	10,5:1			9,0:1			9,0:1			8,5:1		
Dome Volume (cc)	+10,4cm ³			-8,22cm ³			+0,7cm ³			-14,8cm ³		
Comp. Height (mm)	35mm			35mm			35mm			35mm		
Valves per Cylinder	4			4			4			4		
Cylinder No.	4			4			4			4		
Piston weight in grams	366gr.			346gr.			346gr.			354gr.		
Clip Part No.	CW22			CW22			CW22			CW22		
Pin Part No.	WP017			WP017			WP017			WP046		
Rod length	138			138			138			138		
Price Code	A			A			A			A		
Top End Gasket Kit	see gasket list side 117-119			see gasket list side 117-119			see gasket list side 117-119			see gasket list side 117-119		
Wössner Connecting rods	PL013			PL013			PL013			PL013		

T

TOYOTA®



Model	Supra 3.0Ltr. Turbo			Supra 2.5Ltr. Twin-Turbo			Supra 3.0Ltr. Turbo			Starlet GT Turbo, Glanza S, V		
Years	1986-92			1990-2007			1993-98			-		
Engine type	7MGTE			1JZ-GTE			2JZGTE			4E-FTE		
Displ. (cc)	2954cm ³			2491cm ³			3030cm ³			1331cm ³		
	Piston Kit Part No.	Bore size (mm)	Ring Set Part No.	Piston Kit Part No.	Bore size (mm)	Ring Set Part No.	Piston Kit Part No.	Bore size (mm)	Ring Set Part No.	Piston Kit Part No.	Bore size (mm)	Ring Set Part No.
	K9056DA	83,00	830XTY	K9291DA	86,00	860XTY	K9057DA	86,00	860XTY	K9072DA	74,00	740XTZ
	K9056D050	83,50	835XTY	K9291D050	86,50	865XTY	K9057D050	86,50	865XTY	K9072D050	74,50	745XTZ
	K9056D100	84,00	840XTY	K9291D100	87,00	870XTY	K9057D100	87,00	870XTY	K9072D100	75,00	750XTZ
Stroke	91mm			71,5mm			86mm			77,4mm		
Wössner Comp. ratio	8,0:1			7,85:1			8,0:1			8,0:1		
OE Comp. ratio	8,4:1			8,5:1			8,5:1			8,2:1		
Dome Volume (cc)	-23,3cm ³			-9,8cm ³			-			-		
Comp. Height (mm)	33mm			34mm			34mm			30mm		
Valves per Cylinder	4			4			4			4		
Cylinder No.	6			6			6			4		
Piston weight in grams	320gr.			372gr.			362gr.			244gr.		
Clip Part No.	CW22			CW22			CW22			CW18		
Pin Part No.	WP046			WP046			WP046			WP042		
Rod length	152			142			142			-		
Price Code	G			G			G			A		
Top End Gasket Kit	see gasket list side 117-119			-			see gasket list side 117-119			-		
Wössner Connecting rods	-			-			PL025			-		



Model	Polo G40			Golf 1 GTI 1.6Ltr. 8V			Golf 1 / Golf 2 GTI 1.8Ltr. 8V		
Years	-			-			-		
Engine type	PY			EG			1P, 2H, ABS, ADZ, GU, GX, HV, JV, DS, DX, DZ, EV, GZ, KT, HAT, JH, PB		
Displ. (cc)	1272cm ³			1588cm ³			1779cm ³		
	Piston Kit Part No.	Bore size (mm)	Ring Set Part No.	Piston Kit Part No.	Bore size (mm)	Ring Set Part No.	Piston Kit Part No.	Bore size (mm)	Ring Set Part No.
	K9096DA	75,00	750XTZ	K9180DA	79,50	795XDS	K9028DA	81,00	810XSY
	K9096D050	75,50	755XTZ	K9180D050	80,00	800XDS	K9028D050	81,50	815XSY
	K9096D100	76,00	760XTZ	K9180D100	80,50	805XDS	K9028D100	82,00	820XSY
	K9096D150	76,50	765XTZ	K9180D150	81,00	810XSY	K9028D150	82,50	825XSY
	K9096D200	77,00	770XTZ	-	-	-	K9028D200	83,00	830XSY
	-	-	-	-	-	-	K9028D250	83,50	835XSY
Stroke	72mm			80mm			86,4mm		
Wössner Comp. ratio	8,0:1			11,6:1			** 11,3:1 / 12,3:1		
OE Comp. ratio	8,0:1			9,5:1			** 9,0:1 / 10,0:1		
Dome Volume (cc)	-			-			+0 cm ³		
Comp. Height (mm)	40mm			40,7mm			32,2mm		
Valves per Cylinder	2			2			2		
Cylinder No.	4			4			4		
Piston weight in grams	294gr.			316gr.			288gr.		
Clip Part No.	CW20			CW22			CW20		
Pin Part No.	WP052			WP017			WP052		
Rod length	-			136			144		
Price Code	A			A			A		
Top End Gasket Kit	-			-			see gasket list side 117-119		
Wössner Connecting rods	-			-			-		

** Engines and pistons are identical. Different Cylinder Head's produce different comp. Ratio's.

** Motoren und Kolben sind identisch. Durch unterschiedliche Zylinderköpfe ergeben sich unterschiedliche Verdichtungsverhältnisse.



Model	Golf 2 GTI, Scirocco, Corrado 1.8Ltr. 16V (136PS)			Golf 2 GTI, Scirocco, Corrado 1.8Ltr. 16V Turbo			Golf 2, Corrado 1.8Ltr. 8V G60			2.0Ltr. 8V G60 Turbo		
Years	-			-			-			-		
Engine type	KR, PL			KR, PL			PG			PG		
Displ. (cc)	1779cm ³			1779cm ³			1781cm ³			2007cm ³		
	Piston Kit Part No.	Bore size (mm)	Ring Set Part No.	Piston Kit Part No.	Bore size (mm)	Ring Set Part No.	Piston Kit Part No.	Bore size (mm)	Ring Set Part No.	Piston Kit Part No.	Bore size (mm)	Ring Set Part No.
	K9029DA	81,00	810XSY	K9201DA	81,00	810XTY	K9106DA	81,00	810XTY	K9389D200	83,00	830XTY
	K9029D050	81,50	815XSY	K9201D050	81,50	815XTY	K9106D050	81,50	815XTY	-	-	-
	K9029D100	82,00	820XSY	K9201D100	82,00	820XTY	K9106D100	82,00	820XTY	-	-	-
	K9029D150	82,50	825XSY	K9201D150	82,50	825XTY	K9106D150	82,50	825XTY	-	-	-
	K9029D200	83,00	830XSY	K9201D200	83,00	830XTY	K9106D200	83,00	830XTY	-	-	-
	K9029D250	83,50	835XSY	K9201D250	83,50	835XTY	-	-	-	-	-	-
	K9029D300	84,00	840XSY	-	-	-	-	-	-	-	-	-
Stroke	86,4mm			86,4mm			86,4mm			92,8mm		
Wössner Comp. ratio	12,7:1			8,0:1			8,0:1			9,0:1		
OE Comp. ratio	10,0:1			10,0:1			8,0:1			8,0:1		
Dome Volume (cc)	+11cm ³			-12,3cm ³			-16,1cm ³			+14,5cm ³		
Comp. Height (mm)	33,4mm			33,4mm			39,5mm			28,3mm		
Valves per Cylinder	4			4			2			2		
Cylinder No.	4			4			4			4		
Piston weight in grams	320gr.			306gr.			362gr.			271gr.		
Clip Part No.	CW20			CW20			CW22			CW20		
Pin Part No.	WP052			WP061			WP046			WP061		
Rod length	144			144			136			144		
Price Code	A			A			A			A		
Top End Gasket Kit	see gasket list side 117-119			see gasket list side 117-119			see gasket list side 117-119			see gasket list side 117-119		
Wössner Connecting rods	PL018			PL018			PL038			-		

VW®



Model	Golf 3, Corrado, Passat, Vento 2.0Ltr. 8V (115PS)			Corrado, Passat 2.0Ltr. 16V (136PS)			Corrado, Passat 2.0Ltr. 16V Turbo (136PS)		
Years	-			-			-		
Engine type	2E			9A			9A		
Displ. (cc)	1983cm ³			1983cm ³			1983cm ³		
	Piston Kit Part No.	Bore size (mm)	Ring Set Part No.	Piston Kit Part No.	Bore size (mm)	Ring Set Part No.	Piston Kit Part No.	Bore size (mm)	Ring Set Part No.
	K9054DA	82,50	825XSY	K9031DA	82,50	825XSY	K9205DA	82,50	825XTY
	K9054D020	82,70	827XSY	K9031D020	82,70	827XSY	K9205D050	83,00	830XTY
	K9054D050	83,00	830XSY	K9031D050	83,00	830XSY	K9205D100	83,50	835XTY
	K9054D100	83,50	835XSY	K9031D100	83,50	835XSY	-	-	-
	K9054D150	84,00	840XSY	K9031D150	84,00	840XSY	-	-	-
Stroke	92,8mm			92,8mm			92,8mm		
Wössner Comp. ratio	12,3:1			12,5:1			8,0:1		
OE Comp. ratio	10,4:1			10,7:1			10,7:1		
Dome Volume (cc)	-6,6cm ³			+11,2cm ³			~ -19,7cm ³		
Comp. Height (mm)	30,9mm			30,2mm			30,2mm		
Valves per Cylinder	2			4			4		
Cylinder No.	4			4			4		
Piston weight in grams	290gr.			319gr.			282gr.		
Clip Part No.	CW21			CW20			CW20		
Pin Part No.	WP034			WP052			WP061		
Rod length	159			144			144		
Price Code	A			A			A		
Top End Gasket Kit	see gasket list side 117-119			see gasket list side 117-119			see gasket list side 117-119		
Wössner Connecting rods	PL016			PL018			PL018		



Model	Golf 5 2.0Ltr. 16V T FSI Turbo			2.0Ltr. 20V None Turbo (Racing Version)			2.0Ltr. 20V Turbo		
Years	-			-			-		
Engine type	AXX			AEB, AGN, ALT			AEB, AGN, ALT		
Displ. (cc)	1983cm ³			1983cm ³			1983cm ³		
	Piston Kit Part No.	Bore size (mm)	Ring Set Part No.	Piston Kit Part No.	Bore size (mm)	Ring Set Part No.	Piston Kit Part No.	Bore size (mm)	Ring Set Part No.
	K9213DA	82,50	825XTY	K9270DA	82,50	825XSY	K9388DA	82,50	825XTY
	K9213D050	83,00	830XTY	K9270D020	82,70	827XSY	K9388D020	82,70	827XTY
	K9213D100	83,50	835XTY	-	-	-	-	-	-
Stroke	92,8mm			92,8mm			92,8mm		
Wössner Comp. ratio	9,2:1			12,3:1			9,2:1		
OE Comp. ratio	10,5:1			8,9:1			8,9:1		
Dome Volume (cc)	-5,38cm ³			10,7cm ³			-10,3cm ³		
Comp. Height (mm)	29,5mm			29,50mm			29,5mm		
Valves per Cylinder	4			5			5		
Cylinder No.	4			4			4		
Piston weight in grams	334gr.			295gr.			259gr.		
Clip Part No.	CW20			CW20			CW20		
Pin Part No.	WP061			WP052			WP065		
Rod length	144			144			144		
Price Code	A			A			A		
Top End Gasket Kit	see gasket list side 117-119			-			-		
Wössner Connecting rods	PL018			PL018			-		

VW®



Model	Golf 3, Vento, Passat, GTI 2.0Ltr. 16V (150PS)			Golf 3, Vento, Passat, GTI 2.0Ltr. 16V Turbo (150PS)			Golf 4 V6 4-Motion Turbo (204PS)			Golf 4 R32 Turbo		
Years	-			-			-			-		
Engine type	ABF			ABF			AQP, BDE, AMV, AQP, AUE, AYL, BDE			BFH, BML, BJS		
Displ. (cc)	1983cm ³			1983cm ³			2790cm ³			3188cm ³		
	Piston Kit Part No.	Bore size (mm)	Ring Set Part No.	Piston Kit Part No.	Bore size (mm)	Ring Set Part No.	Piston Kit Part No.	Bore size (mm)	Ring Set Part No.	Piston Kit Part No.	Bore size (mm)	Ring Set Part No.
	K9032DA	82,50	825XSY	K9204DA	82,50	825XTY	K9097DA-6	81,00	810XTY	K9094DA	84,00	840XTY
	K9032D020	82,70	827XSY	K9204D050	83,00	830XTY	K9097D050-6	81,50	815XTY	K9094D050	84,50	845XTY
	K9032D050	83,00	830XSY	K9204D100	83,50	835XTY	K9097D100-6	82,00	820XTY	K9094D100	85,00	850XTY
	K9032D100	83,50	835XSY	-	-	-	K9097D150-6	82,50	825XTY	-	-	-
	K9032D150	84,00	840XSY	-	-	-	K9097D200-6	83,00	830XTY	-	-	-
Stroke	92,8mm			92,8mm			90,3mm			95,9mm		
Wössner Comp. ratio	12,4:1			9,0:1			8,5:1			9,0:1		
OE Comp. ratio	10,4:1			10,4:1			10,75:1			11,70:1		
Dome Volume (cc)	+12,6cm ³			-10,6cm ³			+2,45cm ³			-19,7cm ³		
Comp. Height (mm)	31,6mm			31,6mm			35,10mm			29,5mm		
Valves per Cylinder	4			4			4			4		
Cylinder No.	4			4			6			6		
Piston weight in grams	310gr.			297gr.			336gr.			312gr.		
Clip Part No.	CW21			CW21			CW20			CW20		
Pin Part No.	WP034			WP092			WP061			WP052		
Rod length	159			159			164			164		
Price Code	A			A			G			G		
Top End Gasket Kit	see gasket list side 117-119			see gasket list side 117-119			-			-		
Wössner Connecting rods	PL016			PL016			PL017			PL017		

V



Model	Bora, Golf, New Beetle, Passat V5 20V Turbo (170PS)			Passat, Beetle, Sharan 1.8Ltr. 20V Turbo			Passat, Beetle, Sharan 1.8Ltr. 20V Turbo			1.8Ltr. 20V None Turbo (Racing Version)		
Years	-			-			-			-		
Engine type	AQN, AZX			AVC, ANB, AWU, AEB			AVC, ANB, AWU, AEB			AEB, AGN, ALT		
Displ. (cc)	2325cm ³			1781cm ³			1779cm ³			1846cm ³		
	Piston Kit Part No.	Bore size (mm)	Ring Set Part No.	Piston Kit Part No.	Bore size (mm)	Ring Set Part No.	Piston Kit Part No.	Bore size (mm)	Ring Set Part No.	Piston Kit Part No.	Bore size (mm)	Ring Set Part No.
	K9097DA	81,00	810XTY	K9075DA	81,00	810XTY	K9271DA	81,00	810XTY	K9269D150	82,50	825XSY
	K9097D050	81,50	815XTY	K9075D050	81,50	815XTY	K9271D050	81,50	815XTY	K9269D170	82,70	827XSY
	K9097D100	82,00	820XTY	K9075D100	82,00	820XTY	K9271D100	82,00	820XTY	-	-	-
	K9097D150	82,50	825XTY	K9075D150	82,50	825XTY	K9271D150	82,50	825XTY	-	-	-
	K9097D200	83,00	830XTY	-	-	-	-	-	-	-	-	-
Stroke	90,3mm			86,4mm			86,4mm			86,4mm		
Wössner Comp. ratio	8,5:1			8,5:1			9,5:1			12,3:1		
OE Comp. ratio	10,75:1			8,9:1			8,9:1			8,9:1		
Dome Volume (cc)	+2,45cm ³			-13cm ³			-6cm ³			+10,7cm ³		
Comp. Height (mm)	35,10mm			32,7mm			32,70mm			32,70mm		
Valves per Cylinder	4			5			5			5		
Cylinder No.	5			4			4			4		
Piston weight in grams	336gr.			282gr.			280gr.			311gr.		
Clip Part No.	CW20			CW20			CW20			CW20		
Pin Part No.	WP061			WP061			WP061			WP052		
Rod length	164			144			144			144		
Price Code	C			A			A			A		
Top End Gasket Kit	-			-			-			-		
Wössner Connecting rods	PL017			PL018			PL018			PL018		

VW[®]



Model	Corrado / Golf / Sharan VR6 2.8Ltr. / 2.9Ltr. 12V			Corrado / Golf / Sharan VR6 2.8Ltr. / 2.9Ltr. 12V Turbo		
Years	-			-		
Engine type	AAA, AES, AMY, ABV			AAA, AES, AMY, ABV		
Displ. (cc)	2788cm ³			2788cm ³		
	Piston Kit Part No.	Bore size (mm)	Ring Set Part No.	Piston Kit Part No.	Bore size (mm)	Ring Set Part No.
	K9053DA	81,00	810XSY	K9093DA	81,00	810XTY
	K9053D050	81,50	815XSY	K9093D050	81,50	815XTY
	K9053D100	82,00	820XSY	K9093D100	82,00	820XTY
	K9053D150	82,50	825XSY	K9093D150	82,50	825XTY
	K9053D200	83,00	830XSY	K9093D200	83,00	830XTY
	K9053D250	83,50	835XSY	K9093D250	83,50	835XTY
Stroke	90,22mm			90,22mm		
Wössner Comp. ratio	11,0:1			8,0:1		
OE Comp. ratio	10,0:1			10,0:1		
Dome Volume (cc)	-43,6cm ³			-17,8cm ³		
Comp. Height (mm)	37,4mm			30,3mm		
Valves per Cylinder	2			2		
Cylinder No.	6			6		
Piston weight in grams	286gr.			272gr.		
Clip Part No.	CW20			CW20		
Pin Part No.	WP052			WP061		
Rod length	164			164		
Price Code	G			G		
Top End Gasket Kit	-			-		
Wössner Connecting rods	PL017			PL017		

FGM, MONALE, ITALY



Entwicklung und Produktion
 von geschmiedeten
 Aluminiumprodukten
 inklusive Wärmebehandlung

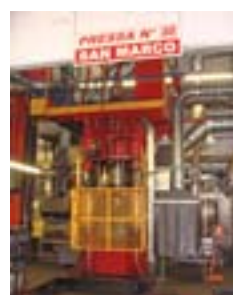


Die Qualität von geschmiedeten Hochleistungskolben hängt von der Präzision der Bearbeitung der Kolben und in starkem Masse von der Qualität des eingesetzten Materials ab. Nur durch eine kontrollierte Temperaturführung und Wärmebehandlung des Materials vor und nach dem Schmiedevorgang lässt sich ein Optimum in der Qualität des Endprodukts erzielen.

Zur Wössner-Gruppe gehört seit einigen Jahren ein bedeutendes UN EN ISO 9001:2008 zertifiziertes Schmiedewerk in Italien. Die Verantwortung für die

bekannte hohe Qualität der Wössner Hochleistungskolben beginnt somit bereits beim Einkauf des Rohmaterials und beim speziellen Schmiedeprozess der Kolben-Rohteile. Hinzu kommt eine deutlich flexiblere Situation bei Beschaffung und Lieferung der Wössner-Produkte – Wössner ist sein eigener Lieferant.

Die Qualitätssicherung in allen Bereichen, gewährleistet schlussendlich, dass nur Produkte höchster Qualität unser Haus verlassen – gut zu wissen! Wössner – die treibende Kraft



The quality of forged high performance pistons depends on the precision of the processing of the piston and to a great extent it depends on the excellence of the used materials. Just controlled temperature and heat treatment of the material before and after the forging process will achieve an optimum in quality of the endproduct. Since a few years an important UNI EN ISO 9001:2008 certified forging company in Italy is part of the Wössner Group. The responsibility for the well-

known high quality of Wössner high performance pistons starts therefore already with the purchase of the forgings and with the specialized forging process. In addition to that Wössner got more flexible in purchasing and supplying Wössner products – Wössner is now their own supplier. The quality management in all areas guarantees finally that only products of the highest quality leave our house – good to know! Wössner – the driving force

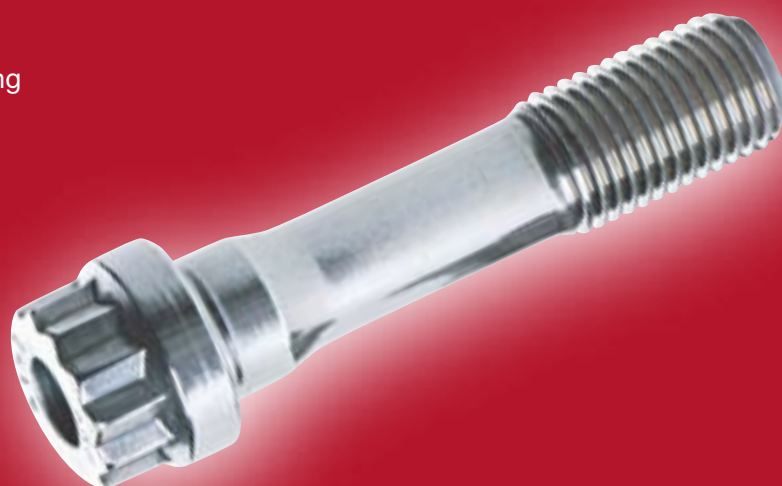
ROD BOLTS



ARP Rod Bolts

What does L19 mean?

L19 is a vacuum melted alloyed steel with sufficient chromium and carbon to achieve high hardness. L19 is air-cooled from the hardening temperature in a way that does not require an oil quench to achieve full hardness and is tempered to assure full conversion to martensite between 1025 F (551,66 C) and 1075 F (579,44 C). L19 is a proprietary material capable of achieving strengths of 220,000 / 230,000 or 260,000 / 270,000 psi as may be required.



Replacement bolts

Part No.	Material	Thread size	Length (inch)	Price Code
ARPL19-1.5	L19	3/8	1.500"	A1
ARPL19-1.75	L19	3/8	1.750"	A1
ARPL19-5/16*1.5"	L19	5/16	1.500"	A1

CONRODS



Description	Article Number	Big End Diameter		G / Pin Diameter
		Metric	Inches	Metric
AUDI				
S3 / TT 1.8Ltr. 20V Turbo	PL018	50.60	1.992	20mm
S2 (3B)	PL018	50.60	1.992	20mm
A3 / S3 2.0Ltr. T FSI*	PL018	50.60	1.992	20mm
BMW				
M3 2.3Ltr. 16V Gr. A (S14)	PL002	52.00	2.047	22mm
M3 2.5Ltr. 16V EVO Sport (S14)	PL002	52.00	2.047	22mm
M3 3.0Ltr. 24V E36, 1992-95	PL042	53.00	2.086	21mm
M3 3.2Ltr. 24V E36, 1995 up	PL041	53.00	2.086	21mm
CITROËN				
Saxo 1.6Ltr. TU5J4	PL020	48.66	1.915	19.46mm
Saxo 1.6Ltr. Kit Car TU5J4	PL030	48.70	1.917	18mm
C2 VTS 1.6Ltr. 16V TU5JP4	PL019	48.66	1.915	18mm
ZX 2.0Ltr. 16V XU10J4	PL028	53.70	2.114	22mm
ZX, Xsara 2.0Ltr. 16V XU10J4RS	PL029	53.70	2.114	20mm
C4 2.0Ltr. 16V VTR EW10J4RS	PL033	48.70	1.917	21mm
FERRARI				
220, 250 GT, 275 GTB	PL039	44.96	1.770	17mm
Fiat				
Punto, Uno 1.4Ltr. 16V Turbo 1990-97	PL023	48.63	1.914	22mm
Ritmo, Punto, Tipo 1.6Ltr. 16V Turbo	PL023	48.63	1.914	22mm
FORD				
Cosworth Escort, Sierra Turbo / Pinto OHC	PL027	55.00	2.165	24mm
Duratec HE 2.0Ltr. 16V CJBA	PL040	50.00	1.968	21mm
HONDA				
RSX Type S, Civic Type R, 2001-05 (K20A)	PL003	51.00	2.007	22mm
S2000 (F20C)	PL043	51.00	2.007	23mm
LANCIA				
Integrale 2.0Ltr. 16V / 8V Turbo	PL001	53.92	2.122	22mm
MAZDA				
Miata, MX5 1.6Ltr. 16V Turbo	PL007	48.00	1.890	20mm
Miata, MX5 1.8Ltr. 16V Turbo	PL007	48.00	1.890	20mm
MINI				
4G63 Lancer EVO 4-9	PL008	48.00	1.889	22mm
4B11 Lancer EVO 10	PL045	55.00	2.165	23mm
NISSAN				
Skyline RB25DET / RB26DETT	PL004	51.00	2.007	21mm
Primera, Sentra SX200 (S14) SR20DET	PL005	51.00	2.007	22mm
Primera, Sentra SX200 (S13) CA18DET	PL026	48.00	1.889	20mm
350Z VQ35-V4Y	PL006	55.00	2.165	22mm
OPEL				
2.0Ltr. 16V C2.0 XE Turbo	PL009	52.00	2.047	21mm
2.4Ltr. CIH	PL011	55.00	2.165	22mm

* The rods are just useable with Wössner pistons

CONRODS



Between Centres		Big End Width		Small End Width		Weight in Grams w/o bolts	Quantity in Kit	Price Code
Metric	Inches	Metric	Inches	Metric	Inches			
144.00	5.669	25.00	0.984	25.00	0.984	538	4	D
144.00	5.669	25.00	0.984	25.00	0.984	538	5	G
144.00	5.669	25.00	0.984	25.00	0.984	538	4	D
144.00	5.669	23.90	0.944	23.90	0.944	564	4	D
144.00	5.669	23.90	0.944	23.90	0.944	564	4	D
142.00	5.591	21.85	0.860	21.85	0.860	500	6	E
139.00	3.530	21.84	0.859	21.84	0.859	530	6	E
133.60	5.259	24.00	0.944	20.00	0.787	441	4	D
137.75	5.423	23.90	0.940	20.00	0.787	456	4	D
133.60	5.259	24.00	0.944	20.00	0.787	445	4	D
152.00	5.984	24.20	0.952	19.10	0.751	540	4	D
158.00	6.220	24.20	0.952	22.00	0.866	558	4	D
139.00	5.472	24.10	0.948	19.10	0.751	480	4	D
112.00	4.409	20.80	0.818	19.00	0.748	426	12	F
128.52	5.059	25.40	1.000	25.40	1.000	505	4	D
128.52	5.059	25.40	1.000	25.40	1.000	505	4	D
128.50	5.059	25.80	1.015	25.80	1.015	533	4	D
146.25	5.757	21.80	0.858	18.00	0.708	480	4	D
138.80	5.464	19.86	0.781	19.86	0.781	502	4	D
153.00	6.023	23.95	0.942	23.95	0.942	512	4	D
145.00	5.708	25.70	1.011	25.70	1.011	569	4	D
133.00	5.236	21.80	0.858	21.80	0.858	393	4	D
133.00	5.236	21.80	0.858	21.80	0.858	393	4	D
150.00	5.905	26.40	1.039	26.40	1.039	541	4	D
144.00	5.669	21.85	0.860	19.90	0.783	498	4	D
121.50	4.783	21.80	0.858	21.80	0.858	454	6	E
136.25	5.364	22.80	0.897	23.50	0.925	514	4	D
133.00	5.236	24.00	0.944	20.60	0.811	475	4	D
144.20	5.677	20.80	0.818	20.80	0.818	523	6	E
143.00	5.629	26.30	1.035	21.90	0.862	513	4	D
134.00	5.275	24.80	0.976	24.80	0.976	492	4	D

CONRODS



Description	Article Number	Big End Diameter		G / Pin Diameter
		Metric	Inches	Metric
PEUGEOT				
106 XSI 8V TU5J2	PL019	48.66	1.915	18mm
206 XS 1.6Ltr. 16V TU5JP4	PL019	48.66	1.915	18mm
106 Kit Car TU5J4	PL030	48.70	1.917	18mm
106 GTI S16 Gr. A TU5J4	PL020	48.66	1.915	19.46mm
206 S16 Super 1600 TU5JP4	PL046	48.66	1.916	18mm
309 GTI & 405 MI16 1.9Ltr. S16 XU9J4	PL044	53.69	2.114	22mm
306 2.0Ltr. S16 XU10J4	PL028	53.70	2.114	22mm
306-RS 2.0Ltr. S16 XU10J4RS	PL029	53.70	2.114	20mm
405 T16 XU10J4TEX	PL051	53.69	2.113	23mm
206 RC 2.0Ltr. S16 EW10J4RS	PL033	48.70	1.917	21mm
PORSCHE				
911 2.0 / 2.2 S, E, L, T	PL037	61.00	2.402	22mm
911 2.4 / 2.7 / 3.0 Carrera / 3.0 Turbo	PL035	56.00	2.205	22mm
911 2.4 / 2.7 / 3.0 SC	PL047	56.00	2.205	22mm
3.2 / 3.3 Turbo w / 23mm pin	PL049	58.01	2.284	23mm
3.2 / 3.3 Turbo w / 22mm pin	PL050	58.01	2.284	22mm
944 / 944 Turbo / 968, Cup, S2, S	PL036	55.00	2.165	24mm
RSR & 964	PL048	58.01	2.284	23mm
993 / 996 TT, 997 TT, GT2	PL031	58.00	2.283	23mm
RENAULT				
Clio Williams 2.0Ltr. 16V F7R	PL021	51.59	2.031	21mm
Clio RS 2.0Ltr. 16V F4R	PL021	51.59	2.031	21mm
R5 Turbo 840-30	PL022	47.614	1.875	20mm
R5 Alpine Turbo C6J726	PL022	47.614	1.875	20mm
R5 GT Turbo C1J760/C1J782	PL022	47.614	1.875	20mm
SEAT				
2.0Ltr. 16V Turbo 9A/M1	PL018	50.60	1.992	20mm
2.0Ltr. 16V Turbo ABF	PL016	50.60	1.992	21mm
2.8Ltr. 24V V6 Turbo AUE	PL017	56.80	2.236	20mm
SUBARU				
Impreza (22B) EJ22	PL024	55.00	2.165	23mm
Impreza Version 1, 2, 3, 4 1992-98 EJ20	PL024	55.00	2.165	23mm
Impreza Version 5, 6 1998-2000 EJ20	PL024	55.00	2.165	23mm
Impreza WRX STI Version 7, 8 2000-03 EJ205	PL024	55.00	2.165	23mm
Impreza WRX STI Version 9 2003 up EJ205	PL024	55.00	2.165	23mm
TOYOTA				
Celica, MR2 2.0Ltr. 16V 3SGE	PL013	51.00	2.007	22mm
Celica, MR2 2.0Ltr. 16V Turbo 3SGTE / 3SG	PL013	51.00	2.007	22mm
Supra Turbo 3.0Ltr. Turbo 2JZGTE	PL025	55.00	2.165	22mm
VOLKSWAGEN				
1.8Ltr. 16V Turbo KR, PL	PL018	50.60	1.992	20mm
1.8Ltr. 20V Turbo	PL018	50.60	1.992	20mm
2.0Ltr. 16V Turbo 9A	PL018	50.60	1.992	20mm
1.8Ltr. 8V G60 PG	PL038	50.60	1.992	22mm
2.0Ltr. 16V Turbo ABF	PL016	50.60	1.992	21mm
2.0Ltr. 8V 2E	PL016	50.60	1.992	21mm
VR6 2.8Ltr. / 2.9Ltr. 12V Turbo	PL017	56.80	2.236	20mm
3.2Ltr. 24V R32 Turbo	PL017	56.80	2.236	20mm
2.8Ltr. 24V V6 4-Motion Turbo	PL017	56.80	2.236	20mm

CONRODS



	Between Centres		Big End Width		Small End Width		Weight in Grams w/o bolts	Quantity in Kit	Price Code
	Metric	Inches	Metric	Inches	Metric	Inches			
	133.60	5.259	24.00	0.944	20.00	0.787	445	4	D
	133.60	5.259	24.00	0.944	20.00	0.787	445	4	D
	137.75	5.423	23.90	0.940	20.00	0.787	456	4	D
	133.60	5.259	24.00	0.944	20.00	0.787	441	4	D
	139.00	5.472	23.95	0.943	20.00	0.787	433	4	D
	143.00	5.630	22.45	0.884	22.45	0.884	484	4	D
	152.00	5.984	24.20	0.952	19.10	0.751	540	4	D
	158.00	6.220	24.20	0.952	22.00	0.866	558	4	D
	151.75	5.974	26.10	1.027	19.15	0.753	526	4	D
	139.00	5.472	24.10	0.948	19.10	0.751	470	4	D
	130.00	5.118	21.69	0.854	25.40	1.000	496	6	E
	127.75	5.030	25.90	1.020	23.77	0.936	499	6	E
	127.75	5.030	23.90	0.94	23.77	0.857	487	6	E
	127.00	5.000	21.74	0.856	25.40	1.000	499	6	E
	127.00	5.000	21.74	0.856	25.40	1.000	500	6	E
	150.00	5.905	28.80	1.133	26.30	1.035	662	4	D
	127.00	5.000	21.74	0.856	19.51	0.059	488	6	E
	127.00	5.000	18.90	0.744	19.51	0.059	462	6	E
	144.00	5.669	25.00	0.984	22.00	0.866	499	4	D
	144.00	5.669	25.00	0.984	22.00	0.866	499	4	D
	128.00	5.039	21.80	0.858	21.80	0.858	451	4	D
	128.00	5.039	21.80	0.858	21.80	0.858	451	4	D
	128.00	5.039	21.80	0.858	21.80	0.858	451	4	D
	144.00	5.669	25.00	0.984	25.00	0.984	538	4	D
	159.00	6.259	24.90	0.980	20.00	0.787	564	4	D
	164.00	6.456	19.90	0.783	19.90	0.783	543	6	E
	130.45	5.135	21.425	0.844	21.425	0.844	454	4	D
	130.45	5.135	21.425	0.844	21.425	0.844	454	4	D
	130.45	5.135	21.425	0.844	21.425	0.844	454	4	D
	130.45	5.135	21.425	0.844	21.425	0.844	454	4	D
	130.45	5.135	21.425	0.844	21.425	0.844	454	4	D
	138.00	5.433	26.75	1.053	23.50	0.925	495	4	D
	138.00	5.433	26.75	1.053	23.50	0.925	495	4	D
	142.00	5.590	26.00	1.023	26.00	1.023	525	6	E
	144.00	5.669	25.00	0.984	25.00	0.984	538	4	D
	144.00	5.669	25.00	0.984	25.00	0.984	538	4	D
	144.00	5.669	25.00	0.984	25.00	0.984	538	4	D
	136.00	5.354	24.96	0.982	24.96	0.982	520	4	D
	159.00	6.259	24.90	0.980	20.00	0.787	564	4	D
	159.00	6.259	24.90	0.980	20.00	0.787	564	4	D
	164.00	6.456	19.90	0.783	19.90	0.783	543	6	E
	164.00	6.456	19.90	0.783	19.90	0.783	543	6	E
	164.00	6.456	19.90	0.783	19.90	0.783	543	6	E

QUALITY ASSURANCE

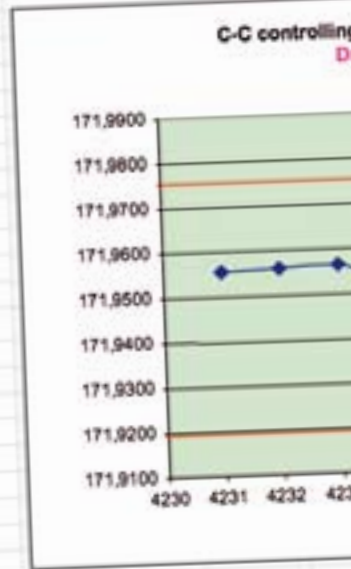


Control V1	Reference	171,9500
	Min	171,9200
	Max	171,9800
	Tolerance zone	0,0600

Measurement setup

Ø B/E	Reference	47,7900	
	Min	47,7900	23,895
	Max	47,8080	23,904
Ø G/PIN	Reference	20,0000	0,0200
	Min	20,0100	10,005
	Max	20,0300	10,015

Calculation of tolerance zone				CB-CS
Smallest deflection and biggest bore				
171,92	23,90	10,02	=	138,001
Biggest deflection and smallest bore				
171,98	23,90	10,01	=	138,080
Final tolerance zone		0,079		

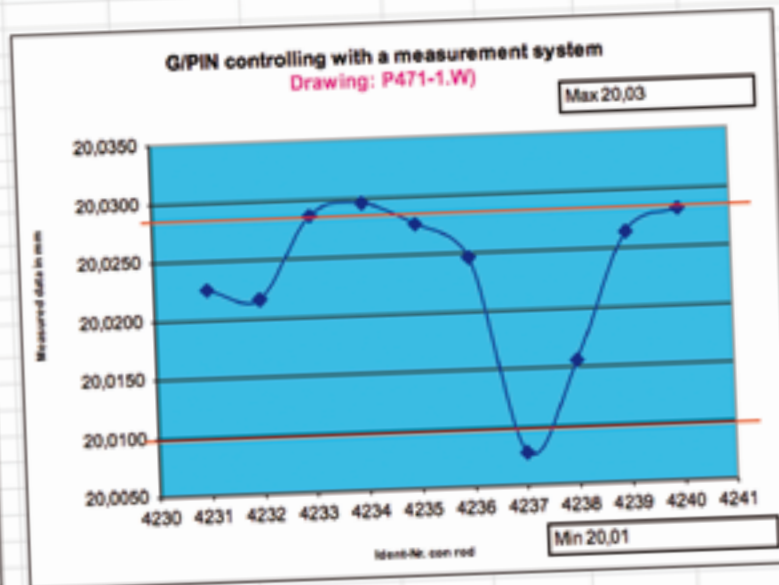
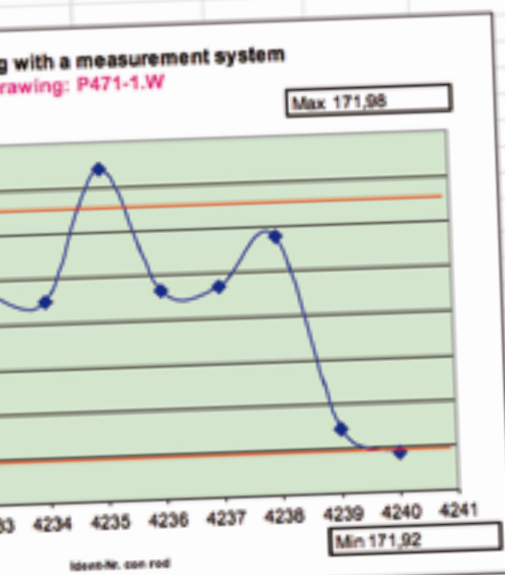


BASIS: ZG P471-1.W

Centralization	Control	
1	8	Con rod Are in the allowed tolerance field from
2	2	Con rod Are beyond the allowed tolerance field
3		The tolerance field about all con rods is
4		Average of the actual-deflection
		0,060
		0,065
		171,9516

WÖ-P	Ident-Nr.	Typ	ZE-P	Serial No.	gram	Weight group	C-C Actual value	Irr
			P471-1	1	486,5	1	171,9557	
40	P471-1	4231	Con rod Lancia	P471-1	2	486,2	1	171,9562
41	P471-1	4232	Con rod Lancia	P471-1	3	485,8	1	171,9567
42	P471-1	4233	Con rod Lancia	P471-1	4	486,3	1	171,9549
43	P471-1	4234	Con rod Lancia	P471-1	1	487,3	1	171,9842
44	P471-1	4235	Con rod Lancia	P471-1	2	485,4	1	171,9568
45	P471-1	4236	Con rod Lancia	P471-1	3	487,1	1	171,9572
46	P471-1	4237	Con rod Lancia	P471-1	4	484,8	1	171,9678
47	P471-1	4238	Con rod Lancia	P471-1	3	485,9	1	171,9245
48	P471-1	4239	Con rod Lancia	P471-1	4	486,4	1	171,9189
49	P471-1	4240	Con rod Lancia	P471-1				

Quality assurance



Actual deflection	171,9516
Control V1	
Irregularity at min.	0,0357
Irregularity at max.	-0,0243
Control V1	
IN	8
OUT	2
Decision	F

Centralization	0,0200				
9	Are in the allowed tolerance field from				
1	Are beyond the allowed tolerance field				
Actual value G/PIN	Irregularity at min.	Irregularity at max.	IN	OUT	Decision
20,0226	0,0126	-0,0074	1		F
20,0216	0,0116	-0,0084	1		F
20,0286	0,0186	-0,0014	1		F
20,0296	0,0196	-0,0004	1		F
20,0276	0,0176	-0,0024	1		F
20,0246	0,0146	-0,0054	1		F
20,0078	-0,0022	-0,0222		1	no F
20,0156	0,0056	-0,0144	1		F
20,0264	0,0164	-0,0036	1		F
20,0283	0,0183	-0,0017	1		F

GASKETS

COMETIC GASKET

The Cometic MLS gasket is comprised of three layers of Stainless Steel. Cometic uses Stainless steel for increased strength and its ability to rebound and corrosion resistance. The outer layers of the gasket are embossed and coated on both sides with a fluoroelastomer rubber based material (Viton) designed to meet the demands of a variety of harsh sealing environments, load conditions and surface finishes. The Viton coating is heat resistant to 250 degree or 482 F.

The center or shim layer of the gasket is comprised of an uncoated Stainless Steel layer, which can be varied to accommodate multiple thickness requirements. The MLS gasket is ideal for both aluminium heads to cast iron blocks and aluminium heads to aluminium blocks. No re-torque is necessary. By design the MLS gasket promotes an even torque load across the sealing surface allowing for measurable reduced bore distortion.

GASKETS



	Engine Type	Fits Bore Size (mm)	Material (mm)	Stock Code	Price Code
AUDI					
A3 / S3 2.0Ltr.	2.0Ltr. AXX, BPY, BWA, BPJ, BUL, BWE	83.50	MLS 1.3	C4541-051	C21
BMW					
M3 E30	2.0Ltr. S14B20, 2.3Ltr. S14B23	93.4	MLS 1.3	C4294-051	C27
		93.4	MLS 1.5	C4294-059	C27
M3 E36	3.0Ltr., 3.2Ltr. S50B30, B32 (Euro only)	87	MLS 1.77	C4508-070	C32
M3 E46	3.25Ltr. S54B32	87.5	MLS 1.77	C4505-070	C31
2002 TII	M10B20 2.0 8V	90	MLS 0.51	C4293-051	C27
CITROËN					
Saxo 1.6Ltr. 16V	TU5J4	79	MLS 1.6	C4493-060	C28
FIAT / LANCIA					
Delta Integrale Turbo	2.0 8V / 16V	85	MLS 1.01	C4124-040	C21
		85	MLS 1.15	C4124-045	C21
		85	MLS 1.3	C4124-051	C21
FORD					
Cosworth Turbo / None Turbo / Pinto SOHC	YB/N5B	92.5	MLS 1.01	C4350-040	C21
		92.5	MLS 1.15	C4350-045	C21
		92.5	MLS 1.3	C4350-051	C21
HONDA					
Civic	D16Z6, D16Y7/8/9, D15Z1	75.5	MLS 0.30	C4251-030	C21
Civic	D16Z6, D16Y7/8/9, D15Z1	76	MLS 0.30	C4195-030	C21
Civic, Integra V-Tec	B16A, B17, B18C	81	MLS 0.75	C4231-030	C21
		82	MLS 0.75	C4168-030	C21
		82	MLS 0.91	C4168-036	C21
		82	MLS 1.01	C4168-040	C21
Integra	B18A1 None V-Tec	81	MLS 0.30	C4238-030	C21
Civic Type R / RSX Type S	2.0Ltr. V-Tec DOHC	86	MLS 0.75	C4300-030	C21
	K20A, A2, A3, K24	87	MLS 0.75	C4311-030	C21
S2000, 1999-2003	F20C1, C2, F22C1	89	MLS 0.75	C4335-030	C21
CR-V	B20B4	85	MLS 0.30	C4250-030	C21
Prelude	H22A1, A2	87	MLS 0.30	C4255-030	C21
MAZDA					
MX-5 Miata	1.6Ltr. DOHC 16V B6D	80	MLS 1.01	C4122-040	C24
MX-5 Miata	2.0Ltr. DOHC 16V MZR14	84	MLS 0.30	C5844-030	C25
MG					
MG	1.8Ltr. 16V 18K4F	83	MLS 0.40	C4147-040	C21

GASKETS



	Engine Type	Fits Bore Size (mm)	Material (mm)	Stock Code	Price Code
MINI COOPER					
Mini Cooper	1.6Ltr. 16V	78.50	MLS 0.27	C4308-027	C21
MITSUBISHI					
Lancer EVO 1 - 3	4G63	85.50	MLS 1.3	C4234-051	C21
Lancer EVO 4 - 10	4G63	85	MLS 1.3	C4157-051	C21
		86	MLS 0.91	C4156-036	C21
		86	MLS 1.01	C4156-040	C21
		86	MLS 1.15	C4156-045	C21
	86	MLS 1.5	C4156-060	C26	
Eagle Talon DOHC	420A	87.50	MLS 1.01	C5497-040	C20
3000GT	6G72TT	93	MLS 1.3	C4243-051	C21
NISSAN					
Silvia, Bluebird SX200 Turbo	CA18DET (S13)	85	MLS 1.6	C4480-051	C25
	SR20DET (S14) FWD no additional oil holes	88.50	MLS 0.75	C4130-030	C21
	SR20DET (S14) RWD	88.50	MLS 1.01	C4283-040	C21
	SR20DET (S14) W/VL 1. int. oil hole	87.50	MLS 1.01	C4324-040	C21
240SX	2.4Ltr. 16V KA24DE/DET	90	MLS 1.01	C4285-040	C21
Skyline	RB25DET	86	MLS 1.3	C4317-051	C30
		87	MLS 1.3	C4318-051	C30
Skyline GTR	RB26DETT	86	MLS 1.3	C4319-051	C30
		87	MLS 1.3	C4320-051	C30
350Z, Pathfinder	3.5Ltr. V6 VQ35DE	96	MLS 0.75	C4345-030 Left	C22
		96	MLS 0.75	C4345-030 Right	C22
		98	MLS 0.75	C4344-030 Left	C22
		98	MLS 0.75	C4344-030 Right	C22
		100	MLS 0.75	C4343-030 Left	C22
		100	MLS 0.75	C4343-030 Right	C22
		101.50	MLS 0.75	C4381-030 Left	C22
		101.50	MLS 0.75	C4381-030 Right	C22
OPEL / VAUXHALL					
GSI	X16XEL, C16XE	82	MLS 1.3	C4257-051	C21
		88	MLS 1.15	C4216-045	C21
		88	MLS 1.3	C4216-051	C21
		88	MLS 1.52	C4216-060	C26
CIH	2.0 8V	97	MLS 1.3	C4512-051	C29

GASKETS



	Engine Type	Fits Bore Size (mm)	Material (mm)	Stock Code	Price Code
PEUGEOT					
106 S16	TU5J4	79	MLS 1.6	C4493-060	C28
306 S16, 405MI16	XU10J4, RS/XU10J2/XU9J4	84	MLS 1.3	C4225-051	C24
PORSCHE					
944 2.5Ltr.		100.50	MLS 1.01	C4272-040	C21
		103	MLS 1.01	C4273-040	C21
944 2.7/3.0Ltr.		106	MLS 1.01	C4274-040	C21
996 TT, GT2		102	MLS 1.01	C4492-040	C21
RENAULT					
Clio 1.8 S16	F7P	83	MLS 1.3	C4539-051	C24
Clio RS, 172, 182	2.0 16S F4R, F7R	83	MLS 0.75	C4518-030	C24
		84.50	MLS 0.75	C4519-030	C24
SEAT					
Cordoba, Ibiza 2.0Ltr. 16V	ABF	83	MLS 1.3	C4247-051	C21
		85	MLS 1.01	C4246-040	C21
		85	MLS 1.3	C4246-051	C21
SUBARU					
Impreza (22B)	EJ22	98	MLS 1.3	C4263-051	C23
Impreza 2.5Ltr.	EJ25, EJ257	100	MLS 0.75	C4264-030	C23
Impreza WRX STI 2004-06		100	MLS 0.75	C4264-030	C23
Impreza Version 1, 2, 3, 4	EJ20	93	MLS 0.75	C4261-030	C23
		93	MLS 1.01	C4261-040	C23
		93	MLS 1.15	C4261-045	C23
		100	MLS 0.75	C4260-030	C23
TOYOTA					
Celica, MR2 Turbo	2.0Ltr. 16V 3SGTE, 3S-GE	87	MLS 1.01	C4314-040	C21
Celica, MR2	1.6Ltr. 16V 4AG	81	MLS 1.01	C4170-040	C21
		81	MLS 1.15	C4170-045	C21
Celica	1.8Ltr. 8V 3TC	87	MLS 1.01	C4258-040	C21
Supra	2JZ-GTE	87	MLS 1.3	C4276-051	C30
Supra	7MGTE	84	MLS 1.3	C4278-051	C30
VOLKSWAGEN					
Golf, Corrado, Passat	1.8 / 2.0 AGB, ZH, GX, HAT, H, JN, MZ, PG, PF, RD	83	MLS 1.3	C4247-051	C21
		85	MLS 1.01	C4246-040	C21
		85	MLS 1.3	C4246-051	C21
Golf FSI	2.0 AXX, BPY, BWA, BPJ, BUL, BWE	83.50	MLS 1.3	C4541-051	C21
Golf, Passat	1.8 20V Turbo	82	MLS 1.3	C4558-051	C21

PINLIST



Ø	Part No.	Dimension ØDxØdxl	Type	Weight in Grams	Price Code
Ø10	WP105	10x7x33	S	10gr	13
Ø12	WP091	12x8x37.5	S	18gr	13
	WP101	12x8x33	S	16gr	13
Ø13	WP088	13x8x40	CT	24gr	13
Ø14	WP058	14x10x38.5	T	21gr	13
	WP025	14x9.0x45	S	31gr	13
	WP063	14x8x38,5	CT	28gr	13
Ø15	WP032	15x10x45	T	33gr	13
	WP011	15x9.0x45	S	39gr	13
	WP067	15x10x41	T	29gr	13
	WP102	15x10x54	CS	41gr	13
Ø16	WP087	16x10x37	CT	33gr	13
	WP036	16x10x45	T	41gr	13
	WP041	16x10.5x51	T	42gr	13
	WP059	16x9.0x45	CT	44gr	13
	WP027	16x11x56.2	T	44gr	13
	WP066	16x9x42	CS	45gr	13
	WP070	16x9x38	CS	41gr	13
Ø17	WP083	17x10x46	CT	49gr	13
	WP090	17x10x51	CT	55gr	13
	WP089	17x10x58	CT	63gr	13
	WP045	17x11x61	CS	63gr	13
Ø18	WP054	18x11x45	CT	54gr	13
	WP049	18x12x45	CT	45gr	13
	WP072	18x8x46	T	70gr	13
	WP099	18x10x51	CT	68gr	13
	WP053	18x9.0x51	T	71gr	13
	WP031	18x11x51	CT	60gr	13
	WP039	18x12x56	T	59gr	13
	WP042	18x11x62.8	T	71gr	13
	WP040	18x13x53.2	T	47gr	13
	WP033	18x13x56.2	T	49gr	13
	WP064	18x10x56	CS	76gr	13
	WP079	18x12x62,8	S	74gr	13
Ø18.5	WP084	18.5x11x55.5	CT	71gr	13
Ø19	WP037	19x10x51	T	75gr	13
	WP071	19x9.2x46	T	74gr	13
	WP028	19x12x46	CT	56gr	13
	WP018	19x12x48	CT	58gr	13
	WP050	19x12x51	CT	61gr	13
	WP026	19x12x55.5	CT	68gr	13
	WP044	19x13x56.4	T	62gr	13
	WP019	19x13x61	S	73gr	13
Ø19.46	WP096	19.46x12x51	CT	66gr	13
	WP035	19.46x12x61	CT	80gr	13

PINLIST



Ø	Part No.	Dimension ØDxØdxl	Type	Weight in Grams	Price Code
Ø20	WP052	20x12.5x55	CT	79gr	14
	WP029	20x13x46	CT	58gr	14
	WP038	20x13x51	T	66gr	14
	WP061	20x11x61	CS	105gr	14
	WP086	20x13x61	T	79gr	14
	WP065	20x11x55	CS	93gr	14
	WP068	20x12x51	CR	75gr	14
	WP073	20x10x46	CT	81gr	14
	WP075	20x12,5x49	CT	72gr	14
WP076	20x14x56	T	63gr	14	
Ø21	WP013	21x13.5x46	CT	73gr	14
	WP051	21x13.5x51	CT	75gr	14
	WP034	21x13x55.5	CT	86gr	14
	WP092	21x12x61	CS	111gr	14
	WP081	21x14x61	T	82gr	14
Ø22	WP097	22x12x46	CS	96gr	14
	WP055	22x14x46	CT	69gr	14
	WP009	22x14x51	CT	76gr	14
	WP098	22x13x51	CS	99gr	14
	WP017	22x14x55	CT	87gr	14
	WP046	22x14x63	CT	98gr	14
	WP080	22x15x61	T	87gr	14
	WP077	22x16x63	T	83gr	14
	WP069	22x14x63	C	104gr	14
Ø23	WP008	23x13x50.5	CT	98gr	14
	WP047	23x13x50.5	CS	112gr	14
	WP024	23x15x55.5	CT	95gr	14
	WP094	23x13x61	CT	126gr	14
	WP082	23x13x55.5	CS	123gr	14
Ø24	WP023	24x16x51	CT	92gr	14
	WP057	24x17x56	CT	90gr	14
	WP022	24x16x63.5	CT	121gr	14
	WP078	24x17x68	T	113gr	14
Ø17,463	WP062	11/16"x11x51	CT	51gr	13
Ø19,05	WP048	3/4"x12x56	CT	68gr	13
Ø20.12	WP020	0,792"x12x51	CT	73gr	14
	WP021	0,792"x12x56	CT	82gr	14
	WP093	0,792"x13x72	CS	104gr	14
Ø20.63	WP195	13/16"x13x55.5	CT	79gr	14
	WP095	20,625x13x55.5	CT	79gr	14
	WP174	13/16"x12,5x49	CT	76gr	14
	WP074	20,625x12,5x49	CT	76gr	14
Ø22.22	WP085	7/8"x14x63	CT	105gr	14
Ø23,55	WP056	0,927"x15.9x56	CT	96gr	14
	WP060	0,927"x15.9x51	CT	86gr	14
	WP100	0,927"x15.7x2,25"	CS	108gr	14
	WP103	0,927"x14x2,75"	CS	154gr	14
Ø23,813	WP043	15/16"x15x63	CT	124gr	14

T = conical shape S = cylindrical shape C = chromium plated for plain bearing only R = radius ØD = Ø outside Ød = Ø inside

RINGLIST



All Woessner rings can be used in cast iron, Nikasil®, boron composite® and Electrofusion bores.

Caution: Wössner 4-stroke rings can not be used in chrome plated bores.

Ring Part No.	Fits Bore Dia. (mm)	Top Ring (mm)	Second Ring (mm)	Oil Ring (mm)	Price Code
530XKS	53	1	0,8	2	18
535XKS	53,5	1	0,8	2	18
540XKS	54	1	0,8	2	18
545XKS	54,5	1	0,8	2	18
550XKS	55	1	0,8	2	18
560XKS	56	1	0,8	2	18
565XKS	56,5	1	0,8	2	18
570XKS	57	1	0,8	2	18
575XKS	57,5	1	0,8	2	18
580XKS	58	1	0,8	2	18
585XKS	58,5	1	0,8	2	18
590XKS	59	1	0,8	2	18
595XKS	59,5	1	0,8	2	18
600XGS	60	1	1	2	18
600XKS	60	1	0,8	2	18
605XKS	60,5	1	0,8	2	18
605XDS	60,5	1	1,2	2	18
610XKS	61	1	0,8	2	18
615XKS	61,5	1	0,8	2	18
620XKS	62	1	0,8	2	18
625XKS	62,5	1	0,8	2	18
630XKS	63	1	0,8	2	18
635XKS	63,5	1	0,8	2	18
640XKS	64	1	0,8	2	18
645XKS	64,5	1	0,8	2	18
650XKS	65	1	0,8	2	18
650XDS	65	1	1,2	2	18
655XGS	65,5	1	1	2	18
660XKS	66	1	0,8	2	18
665XKS	66,5	1	0,8	2	18
670XKS	67	1	0,8	2	18
675XKS	67,5	1	0,8	2	18
680XKS	68	1	0,8	2	18
685XKS	68,5	1	0,8	2	18
690XKS	69	1	0,8	2	18
695XKS	69,5	1	0,8	2	18
700XDS	70	1	1,2	2	18
705XDS	70,5	1	1,2	2	18
710XDS	71	1	1,2	2	18

Ring Part No.	Fits Bore Dia. (mm)	Top Ring (mm)	Second Ring (mm)	Oil Ring (mm)	Price Code
715XDS	71,5	1	1,2	2	18
720XDS	72	1	1,2	2	18
725XDS	72,5	1	1,2	2	18
730XDS	73	1	1,2	2	18
730XAS	73	0,8	0,8	1,5	18
735XDS	73,5	1	1,2	2	18
740XDS	74	1	1,2	2	18
740XTZ	74	1,5	1,2	2	18
745XDS	74,5	1	1,2	2	18
745XTZ	74,5	1,5	1,2	2	18
750XDS	75	1	1,2	2	18
750XTZ	75	1,5	1,2	2	18
755XDS	75,5	1	1,2	2	18
755XTZ	75,5	1,5	1,2	2	18
760XDS	76	1	1,2	2	18
760XTZ	76	1,5	1,2	2	18
760XMS	76	0,8	0,8	2	18
760XAS	76	0,8	0,8	1,5	18
760XWY	76	1	0,8	1,5	18
765XDS	76,5	1	1,2	2	18
765XTZ	76,5	1,5	1,2	2	18
766XTZ	76,6	1,5	1,2	2	18
768XAS	76,8	0,8	-	1,5	18
770XKS	77	1	0,8	2	18
770XTT	77	1	1,2	3	18
770XDS	77	1	1,2	2	18
770XTZ	77	1,5	1,2	2	18
770XTD	77	1,5	1,2	3	18
770XAS	77	0,8	0,8	1,5	18
772XDS	77,25	1	1,2	2	18
775XDS	77,5	1	1,2	2	18
775XTZ	77,5	1,5	1,2	2	18
780XMS	78	0,8	0,8	2	18
780XDS	78	1	1,2	2	18
780XTT	78	1	1,2	3	18
780XTZ	78	1,5	1,2	2	18
780XAS	78	0,8	0,8	1,5	18
780XWY	78	1	0,8	1,5	18
785XDS	78,5	1	1,2	2	18

RINGLIST



All Woessner rings can be used in cast iron, Nikasil®, boron composite® and Electrofusion bores.

Caution: Wössner 4-stroke rings can not be used in chrome plated bores.

Ring Part No.	Fits Bore Dia. (mm)	Top Ring (mm)	Second Ring (mm)	Oil Ring (mm)	Price Code
785XTZ	78,5	1,5	1,2	2	18
787XDS	78,7	1	1,2	2	18
787XTZ	78,7	1,5	1,2	2	18
790XMS	79	0,8	0,8	2	18
790XDS	79	1	1,2	2	18
790XTZ	79	1,5	1,2	2	18
790XWY	79	1	0,8	?	18
795XDS	79,5	1	1,2	2	18
795XTZ	79,5	1,5	1,2	2	18
797XDS	79,75	1	1,2	2	18
800XTT	80	1	1,2	3	19
800XDS	80	1	1,2	2	19
800XTZ	80	1,5	1,2	2	19
802XDS	80,25	1	1,2	2	19
805XDS	80,5	1	1,2	2	19
805XTZ	80,5	1,5	1,2	2	19
810XDS	81	1	1,2	2	19
810XSY	81	1	1,2	2,5	19
810XTY	81	1,5	1,2	2,5	19
815XSY	81,5	1	1,2	2,5	19
815XTY	81,5	1,5	1,2	2,5	19
820XSY	82	1	1,2	2,5	19
820XDS	82	1	1,2	2	19
820XTY	82	1,5	1,2	2,5	19
825XSY	82,5	1	1,2	2,5	19
825XTY	82,5	1,5	1,2	2,5	19
827XDS	82,7	1	1,2	2	19
827XSY	82,7	1	1,2	2,5	19
827XTY	82,7	1,5	1,2	2,5	19
830XSY	83	1	1,2	2,5	19
830XTY	83	1,5	1,2	2,5	19
830XDS	83	1	1,2	2	19
835XSY	83,5	1	1,2	2,5	19
835XTY	83,5	1,5	1,2	2,5	19
840XSY	84	1	1,2	2,5	19
840XTY	84	1,5	1,2	2,5	19
840XDS	84	1	1,2	2	19
842XSY	84,2	1	1,2	2,5	19
842XTY	84,2	1,5	1,2	2,5	19

Ring Part No.	Fits Bore Dia. (mm)	Top Ring (mm)	Second Ring (mm)	Oil Ring (mm)	Price Code
844XSY	84,4	1	1,2	2,5	19
844XTY	84,4	1,5	1,2	2,5	19
845XSY	84,5	1	1,2	2,5	19
845XTY	84,5	1,5	1,2	2,5	19
846XSY	84,6	1	1,2	2,5	19
846XTY	84,6	1,5	1,2	2,5	19
847XSY	84,75	1	1,2	2,5	19
848XSY	84,8	1	1,2	2,5	19
848XTY	84,8	1,5	1,2	2,5	19
850XSY	85	1	1,2	2,5	19
850XTY	85	1,5	1,2	2,5	19
855XSY	85,5	1	1,2	2,5	19
855XTY	85,5	1,5	1,2	2,5	19
860XDS	86	1	1,2	2	19
860XSY	86	1	1,2	2,5	19
860XTY	86	1,5	1,2	2,5	19
862XSY	86,25	1	1,2	2,5	19
862XTY	86,25	1,5	1,2	2,5	19
865XSY	86,5	1	1,2	2,5	19
865XTY	86,5	1,5	1,2	2,5	19
867XSY	86,75	1	1,2	2,5	19
867XTY	86,75	1,5	1,2	2,5	19
870XSY	87	1	1,2	2,5	19
870XTY	87	1,5	1,2	2,5	19
875XSY	87,5	1	1,2	2,5	19
875XTY	87,5	1,5	1,2	2,5	19
880XSY	88	1	1,2	2,5	19
880XTY	88	1,5	1,2	2,5	19
880XDS	88	1	1,2	2	19
885XSY	88,5	1	1,2	2,5	19
885XTY	88,5	1,5	1,2	2,5	19
890XSY	89	1	1,2	2,5	19
890XTY	89	1,5	1,2	2,5	19
892XSY	89,25	1	1,2	2,5	19
895XSY	89,5	1	1,2	2,5	19
897XSY	89,75	1	1,2	2,5	19
895XTY	89,5	1,5	1,2	2,5	19
900XDS	90	1	1,2	2	19
900XSY	90	1	1,2	2,5	19

RINGLIST



All Woessner rings can be used in cast iron, Nikasil®, boron composite® and Electrofusion bores.

Caution: Wössner 4-stroke rings can not be used in chrome plated bores.

Ring Part No.	Fits Bore Dia. (mm)	Top Ring (mm)	Second Ring (mm)	Oil Ring (mm)	Price Code
900XTY	90	1,5	1,2	2,5	19
905XSY	90,5	1	1,2	2,5	19
905XTY	90,5	1,5	1,2	2,5	19
910XSY	91	1	1,2	2,5	19
910XTY	91	1,5	1,2	2,5	19
912XSY	91,25	1	1,2	2,5	19
912XTY	91,25	1,5	1,2	2,5	19
915XSY	91,5	1	1,2	2,5	19
915XTY	91,5	1,5	1,2	2,5	19
917XSY	91,75	1	1,2	2,5	19
917XTY	91,75	1,5	1,2	2,5	19
920XDS	92	1	1,2	2	19
920XSY	92	1	1,2	2,5	19
920XTY	92	1,5	1,2	2,5	19
925XSY	92,5	1	1,2	2,5	19
925XTY	92,5	1,5	1,2	2,5	19
930XSY	93	1	1,2	2,5	19
930XTY	93	1,5	1,2	2,5	19
935XSY	93,5	1	1,2	2,5	19
935XTY	93,5	1,5	1,2	2,5	19
936XSY	93,6	1	1,2	2,5	19
938XSY	93,8	1	1,2	2,5	19
938XTY	93,8	1,5	1,2	2,5	19
940XSY	94	1	1,2	2,5	19
940XTY	94	1,5	1,2	2,5	19
942XSY	94,2	1	1,2	2,5	19
942XTY	94,2	1,5	1,2	2,5	19
945XSY	94,5	1	1,2	2,5	19
945XTY	94,5	1,5	1,2	2,5	19
950XDS	95	1	1,2	2	19
950XSY	95	1	1,2	2,5	19
950ADS	95	1	-	2	19
950XTY	95	1,5	1,2	2,5	19
955XSY	95,5	1	1,2	2,5	19
955XTY	95,5	1,5	1,2	2,5	19
960XSY	96	1	1,2	2,5	19
960ADS	96	1	-	2	19
960XTY	96	1,5	1,2	2,5	19
965XTY	96,5	1,5	1,2	2,5	19

Ring Part No.	Fits Bore Dia. (mm)	Top Ring (mm)	Second Ring (mm)	Oil Ring (mm)	Price Code
965XSY	96,5	1	1,2	2,5	19
970XTY	97	1,5	1,2	2,5	19
970XSY	97	1	1,2	2,5	19
970ADS	97	1	-	2	19
970XDS	97	1	1,2	2	19
975XSY	97,5	1	1,2	2,5	19
975XTY	97,5	1,5	1,2	2,5	19
980XSY	98	1	1,2	2,5	19
980ADS	98	1	-	2	19
980XDS	98	1	1,2	2	19
980XTY	98	1,5	1,2	2,5	19
985XSY	98,5	1	1,2	2,5	19
985XTY	98,5	1,5	1,2	2,5	19
987XSY	98,75	1	1,2	2,5	19
990XSY	99	1	1,2	2,5	19
990XTY	99	1,5	1,2	2,5	19
992XSY	99,2	1	1,2	2,5	19
995XSY	99,5	1	1,2	2,5	19
995XTY	99,5	1,5	1,2	2,5	19
1000ADS	100	1	-	2	20
1000XSY	100	1	1,2	2,5	20
1000XTY	100	1,5	1,2	2,5	20
1005XSY	100,5	1	1,2	2,5	20
1005XTY	100,5	1,5	1,2	2,5	20
1010XSY	101	1	1,2	2,5	20
1010XTY	101	1,5	1,2	2,5	20
1015XSY	101,5	1	1,2	2,5	20
1016XSU	101,6	1,2	1,5	2,5	20
1020XSK	102	1,2	1,5	2,5	20
1020XSU	102	1,2	1,5	2,5	20
1025XSU	102,5	1,2	1,5	2,5	20
1030XSU	103	1,2	1,5	2,5	20
1035XSU	103,5	1,2	1,5	2,5	20
1040XSU	104	1,2	1,5	2,5	20
1045XSU	104,5	1,2	1,5	2,5	20
1050XSU	105	1,2	1,5	2,5	20
1055XSU	105,5	1,2	1,5	2,5	20
1060XSU	106	1,2	1,5	2,5	20
1065XSU	106,5	1,2	1,5	2,5	20



Wössner GmbH

Im Wörth 21 · 79576 Weil am Rhein · Germany
 Phone +49 (0) 7621 95 66 49-0 · Fax +49 (0) 7621 95 66 49-25
 info@woessner-kolben.de · www.woessner-kolben.de

Shelf Piston Order Form

Fax to +49 (0) 7621 95 66 49-25

Account Number _____ Date _____

Company _____

Contact Person _____

Street _____ Country _____

Phone _____ Fax _____

E-Mail _____

Quantity (Set / Each)	Part #	Comments

We will return a fax confirmation as soon as possible!

Parts available Yes No Confirmation _____





Manufacturer of forged pistons

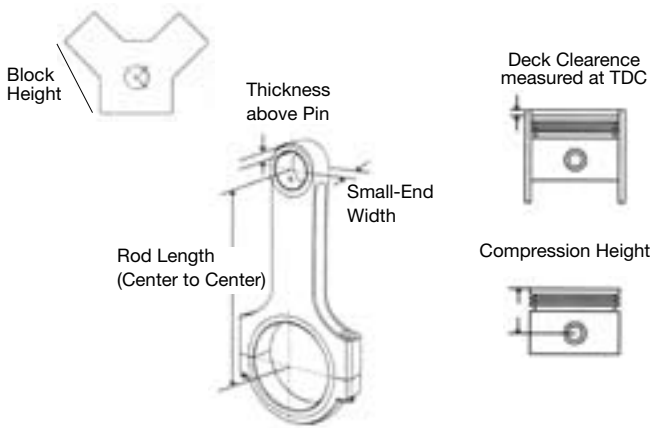
Wössner GmbH

Im Wörth 21 · 79576 Weil am Rhein · Germany
 Phone +49 (0) 7621 95 66 49-0 · Fax +49 (0) 7621 95 66 49-25
 info@woessner-kolben.de · www.woessner-kolben.de

Custom Piston Order Form

Fax to +49 (0) 7621 95 66 49-25

Engine Type _____
 Model _____ Year _____
 Number of Cylinders _____ Order Quantity of Pistons _____
 Displacement _____ Max RPM _____ Approx. HP _____
 Bore Size _____ Stroke _____
 Rod Length _____
 Rod Small-End Width _____
 Thickness above Pin _____
 Head Gasket Thickness _____
 Compression Ratio _____



CYLINDER HEAD

Combustion Chamber Size _____ cc's
 Valve Diameter In _____ Ex _____
 Free Drop (if known) _____
 Was cylinder head milled? Yes No
 If cylinder head was milled, how much?
 Flat _____ Angled _____

Piston Type (Circle one if known)

Dome Flat Top Dish Inverted Dome
 Conical Spherical Round 3D

Pistons designed for Circle Track Asphalt Dirt
 Drag Race Road Race Marine Street/Ship
 other (please specify) _____

Is your Motor Carbureted Injected
 Turbo Charged: Lbs. Boost _____ Blown: Lbs. Boost _____
 Nitrous – how much HP 100 250 350 400+
 other (please specify) _____
 Fuel Type Pump Gas Race Gas Alcohol Nitro

PIN SPECS

Pin Diameter _____ Length _____
 Wall Thickness _____ Qty _____
 Pins with Order Yes No
 Pin Fit Yes No

Wössner GmbH reserves the right to choose the appropriate pin length if supplying pins per each piston design.

COMPANY INFORMATION

Company _____
 Contact Person _____
 Street _____
 Country _____
 Phone _____
 Fax _____
 E-Mail _____

RETURN POLICY: Custom pistons are returnable only for defects in workmanship or materials in the as received condition. Under no circumstances will parts be returnable after 90 days. Please check packaging for complete details regarding return policy. All returns require a „Return Materials Authorization“ (RMA) number, available from the Wössner GmbH sales department.



INSTRUCTIONS

SPECIFICATIONS AND INSTALLATION INSTRUCTIONS

Piston to Cylinder Wall Clearance:

Wössner pistons are designed with a special cam and cylinder design. When measuring for piston to wall clearance, measure at widest point of piston skirt from the bottom of the oil ring groove, 90 degrees from wrist pin hole.

Coated Pistons:

Piston to wall clearance is calculated before the coating is applied to the piston skirts.

Dome Clearance:

Dome to cylinder head clearance need to be checked prior to assembly.

Valve to Piston Clearance:

Most Wössner pistons are designed with valve pockets that are deeper and larger than OEM. These pockets provide adequate valve clearance under most conditions. It is very important that valve to piston clearance is checked upon piston installation. This is necessary due to many variations in cams, how much a block has been decked, or if the heads have been cut or angle milled.



INSTALLATION INSTRUCTIONS 4-STROKE RINGS

The rings are installed with suitable piston ring pliers, starting with the lowest ring. Excessive opening of the rings is to be avoided, since this could lead to deformation of the rings. If the rings are deformed, they are not longer able to provide a perfect seal. Rings that have the mark are to be fitted with the marking facing upwards towards the piston crown. Special care is needed for the installation of steel rail rings (3S-rings).

After the spring has been loaded, the rails are to be mounted so that rail end gaps point towards the pin hole. When the upper rail is being installed, the ends of the spring needs to be held together so as to prevent over-lapping. After this, the lower rail is to be installed. In the case of pistons with rotation prevention in the ring grooves, care need to be taken to ensure that the ring gaps are positioned alongside the location pins. After the rings have been installed, the ring gaps are to be spread evenly around the circumference (for example at 120° intervals for a 3-ring piston).

GENERAL TERMS AND CONDITIONS

of contracts with Wössner GmbH · Im Wörth 21 · 79576 Weil am Rhein/Märkt

1. General

All offers, deliveries, repairs and other services are exclusively rendered on the basis of the following conditions. The applicability of contractual partners' conflicting terms and conditions is herewith denied. Deviations from these terms and conditions have effect only if they are confirmed by us in writing. All other alterations, requested or implied, remain invalid. These Terms and Conditions supersede all previous Terms and Conditions

2. Contract-execution and Content

2.1 All offers are subject to confirmation within three weeks and are non-binding.
2.2 Subsidiary agreements, restrictions, alterations or additions to contracts must be made and accepted in writing.

3. Prices and Terms of Payment

3.1 All prices exclude postage and packing.
Offers are made based upon current costs. Should, between acceptance of an order and delivery date, an unexpected rise in costs occur, we reserve the right to raise our wholesale prices accordingly. The same applies to retail prices only when the delivery date is more than four months after the order was confirmed. An increase in price on a retail contract is restricted to three percent of the original sum.
3.2 Only written estimates will be considered to be binding. Should we not receive a contract following an estimate we reserve the right to request an appropriate fee for this service.
3.3 Payment, in Euro, is due in full within one week of the billing date.
3.4 For delivery contracts we reserve the right to request payment in advance or cash on delivery.
3.5 Payment by cheques and bills of exchange is only considered to have taken place when the clearing process is completed. Responsibility for the form and acceptance of bills of exchange remains with the drawee. Withdrawal, account and exchange fees are the responsibility of the purchaser and are immediately due.
3.6 The purchaser is only entitled to an account credit in the event of an unchallenged and legally upheld counter claim. Right of retention claims must be based upon such claims.
3.7 We reserve the right to off-set payments against outstanding debts in accordance with §§ 367 Abs. 1, 366 Abs. 2 BGB
3.8 In the event of delay or default in payment we reserve the right to charge interest at a rate of two percent above the base rate as defined by the Deutsche Bundesbank.

4. Delivery Dates and Appointments

4.1 Delivery dates and working schedules are only binding when agreed in writing.
4.2 In the event that we are unable to meet a delivery date, the customer is entitled to set a new delivery date, at least three weeks after the expiry of the original deadline. Only if this second deadline is reached without the delivery taking place is the customer entitled to withdraw from the agreement. The setting of deadlines and the withdrawal from agreements must take place in writing.
4.3 Force Majeure – events beyond our control, such as, but not restricted to, acts of God, industrial action and state Intervention, that hinder us or our suppliers in the completion of our work may lead to an extension of the previously agreed delivery times. Should such events render completion of a contract impossible or the altered conditions unacceptable then either party is entitled, in writing, to withdraw from the agreement. There arises no entitlement to compensation

5. Transfer of Responsibility

5.1 We are not liable for loss or damage in transport. Responsibility passes to the customer as the goods are collected or leave our premises. If dispatch is delayed due to events beyond our control then responsibility passes to the customer with the notification of transport readiness. An insurance to cover possible damage or loss during transportation can be arranged on request. The cost of the Insurance is the responsibility of the customer.
5.2 Responsibility for goods in transit to us remains with the customer.

6. Reservation of Title – Transfer of Ownership

6.1 The finished goods remain completely the property of Wössner GmbH until such time as all outstanding balances due to us have been paid. In the case of wholesale partners this clause also applies to future balances.
6.2 If our sole ownership of the goods becomes void through amalgamation or modification, then we receive a proportional ownership of the new retained goods based upon the value of its constituent parts.
6.3 The customer is entitled to process and sell the retained goods in the due course of his business. Any and all resulting income is payable to Wössner GmbH. Following a specific request from our customer we are willing to release them from this demand in so far as their income is more than twenty percent over our price.

7. Guarantee

7.1 Receipt of obviously faulty or incomplete goods must be immediately registered at Wössner GmbH. Notification must reach us within fourteen days of receipt of the goods. The extent of any further testing and the necessity of any further notification, in the case of trade customers, are legally governed. Any complaints concerning the goods must be forwarded in writing together with a copy of the relevant invoice.
7.2 We reserve the right to dispatch part orders in appropriate circumstances. These will be clearly marked as such and require no notification of missing components. Deviations from agreed or advertised properties of a product that either improve or do not influence its normal or planned usage are not considered to be defects. We reserve the right to make such alterations.
7.3 Our motor parts, tuning instruments and other accessories are generally delivered without TÜV testing and are only for use in specialised racing vehicles. Licensing for use on normal road vehicles is not part of any agreement.
7.4 Our guarantee is limited to repair or replacement of the delivered goods. In the event of a further problem after repair or replacement the customer may choose between an appropriate reduction in price or return of the goods and a refund. We reserve the right to two attempts to improve the original merchandise before further action is taken.
7.5 Faults directly or indirectly attributable to inappropriate handling, attempted repair, inflicted damage or other alterations to the goods carried out by the customer or a third party are not covered by our guarantee. The guarantee becomes void should the customer not follow exactly the instructions contained within the included Installation Manual.
7.6 For special constructions based upon designs provided by the customer, our guarantee is restricted to the quality of the construction work carried out. All risks relating to technical specification, function and endurance are carried by the customer.
7.7 Should we discover in the course of a complaints procedure that our guarantee is void, we reserve the right to charge the customer an appropriate fee for time and material costs.
7.8 The guarantee period is six months.

8. Liability

8.1 Except for instances of gross negligence or intentional malpractice, compensation claims arising from positive violation of claims, breach of duty prior to contract (culpa in contrahendo) and from fort are excluded in all instances except those arising from claims based faulty goods.
8.2 In cases of faulty merchandise liability is excluded for direct and consequential damage which occurs after the defect should reasonably have been identified.
8.3 Furthermore the amount of compensation for cases involving wholesale transactions is, based upon the foreseeable average damage for this nature of contract, limited to ten times the price of the article or, in the case of modifications, ten times the works costs. Instances involving exceptional risk factors must be registered pre-contract. liability beyond the limits outlined within this contract will only be accepted if agreed in writing in advance.
8.4 Liability claims based upon a failure to follow the Installation instructions (Paragraph 7.5) or based upon damage caused as a result of an explicit customer request (Paragraph 7.6) are excluded.

9. Final Provisions

9.1 The place of fulfilment of this contract is 79576 Weil am Rhein, Germany. Insofar as the customer is a registered businessman within the bounds of the German Commercial Code, a legal entity under public law or a Special Fund under public law, the exclusive place of jurisdiction for all disputes arising directly or indirectly from the contractual relationship is 79576 Weil am Rhein. The current or usual place of residence of the plaintiff is immaterial.
9.2 German law is applicable to these General Terms and Conditions and to the entire legal relations between us and the customer. Uniform Sales Law and the United Nations Convention on Contracts for the International Sale of Goods have no jurisdiction. The German version of these terms and Conditions (Allgemeine Geschäftsbedingungen) are binding in content.
9.3 In the event that a condition in these General Terms and Conditions or a Provision under the structure of other agreements is, or will become invalid, this does not affect the validity of all other conditions or agreements.



NOTES

NOTES

Our location in Germany



Wössner GmbH

Im Wörth 21
D-79576 Weil am Rhein/Märkt
Tel. +49 (0) 7621 95 66 49-0
Fax +49 (0) 7621 95 66 49-25
info@woessner-kolben.de
www.woessner-kolben.com



Manufacturer of forged pistons

Wössner GmbH
Im Wörth 21
D-79576 Weil am Rhein/Märkt
Tel. +49 (0) 7621 95 66 49-0
Fax +49 (0) 7621 95 66 49-25
info@woessner-kolben.de
www.woessner-kolben.de